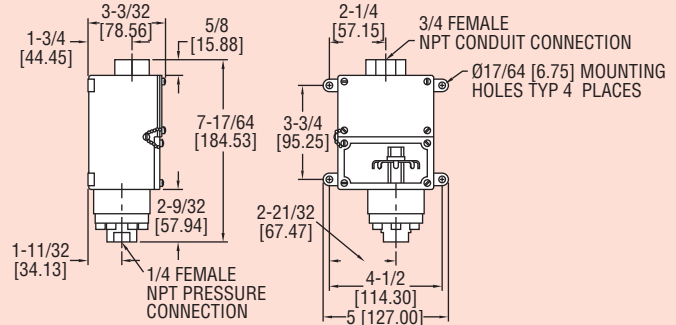




Series
1000W

Weatherproof Diaphragm Operated Pressure Switches

Visible Setpoint, Fixed Deadband, Pressure Ranges to 1400 psi



Extremely rugged construction provides excellent reliability in chemical, petroleum and industrial plants. Belleville spring movement permits mounting of control in any position and helps prevent contact chatter. New design also provides high over-pressure protection. Weatherproof housing is standard.

Aluminum Press. Chamber Polyamide Diaph. Model	316 SS Pressure Chamber FEP Diaphragm Model	Adjustable Operating Range psig (bar)	Approx.* Deadband (Fixed) psig (bar)
1003W-A1-D	1003W-B3-D	5-40 (.48-2.8)	2 (.14)
1004W-A1-D	1004W-B3-D	10-70 (.69-4.8)	4 (.28)
1005W-A1-D	1005W-B3-D	25-200 (1.7-13.8)	8 (.55)
1006W-A1-D	1006W-B3-D	50-350 (3.5-24.1)	15 (1.0)
1007W-A1-D	1007W-B3-D	75-550 (5.2-37.9)	30 (2.1)
1008W-A1-D	1008W-B3-D	100-900 (6.9-62.1)	50 (3.5)
1009W-A1-D	1009W-B3-D	200-1400 (13.8-96.5)	75 (5.2)

*Deadband 10-15% larger when using 316 SS diaphragm.
Change A1 to B2 for 316 SS diaphragm and pressure chamber e.g. 1003W-B2-D. Values shown are for mid-scale.

SPECIFICATIONS

Wetted Materials: See pressure chamber and diaphragm material in model chart.

Temperature Limits: -30 to 170°F (-35 to 77°C).

Pressure Limit: 3000 psig (206.8 bar).
Enclosure Rating: Weatherproof, meets NEMA 4X (IP66).

Switch Type: SPDT snap switch.
Electrical Rating: 15A @ 125/250 VAC resistive.

Electrical Connections: Screw type. **Conduit Connection:** 3/4" female NPT.

Process Connection: 1/4" female NPT.

Mounting Orientation: Any position. **Set Point Adjustment:** Internal thumbwheel.

Weight: 3 lb (1.4 kg).
Deadband: See model chart.
Agency Approvals: CE, UL.