

# Depth Micrometer

## SERIES 128

### Technical Data

Accuracy:  $\pm 3\mu\text{m}$  for micrometer head feed  
 Graduation: .001" or 0.01mm  
 Flatness of reference face:  $1.3\mu\text{m}$  for 63.5mm width base,  
 $2\mu\text{m}$  for 101.6mm width base  
 Flatness of measuring rod face:  $0.3\mu\text{m}$   
 Parallelism between reference face and measuring rod face:  
 $(4+L/50)\mu\text{m}$ , L=Max. measuring length (mm)  
 Measuring rod diameter: 4mm



### FEATURES

- $\varnothing 4\text{mm}$  measuring rod.
- With measuring rod clamp.

- Carbide-tipped measuring rod model is available.
- With ratchet stop for constant force.



### SPECIFICATIONS

Metric		
Range	Order No.	Remarks (base)
0 - 25mm	<b>128-101</b>	63.5x16mm
0 - 25mm	<b>128-103*</b>	63.5x16mm
0 - 25mm	<b>128-102</b>	101.6x16mm
0 - 25mm	<b>128-104*</b>	101.6x16mm

Inch		
Range	Order No.	Remarks (base)
0 - 1"	<b>128-105</b>	2.5" x .63"
0 - 1"	<b>128-106</b>	4" x .63"

\*with carbide-tipped measuring rod

# Depth Micro Checker

## SERIES 515

### FEATURES

- The Depth Micro Checker is designed to efficiently check the zero point of a depth micrometer.



### SPECIFICATIONS

Metric		
Range	Order No.	Remarks (length to check)
0 - 150mm	<b>515-570</b>	25, 50, 75, 100, 125, 150mm
0 - 300mm	<b>515-571</b>	25, 50, 75, 100, 125, 150, 175, 200, 225, 250, 275, 300mm

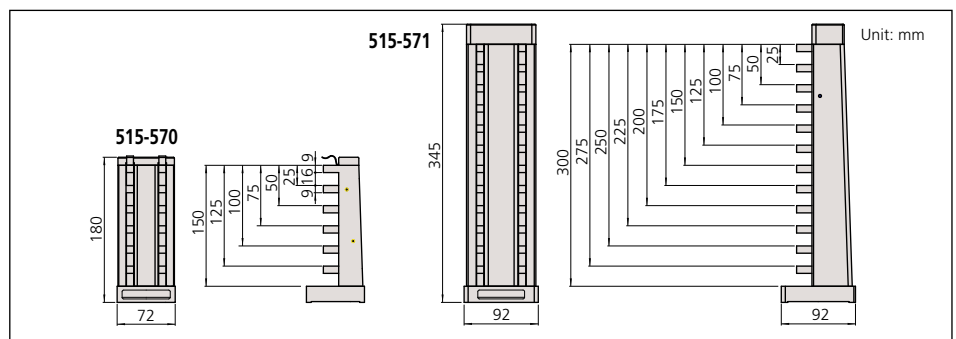
Inch		
Range	Order No.	Remarks (length to check)
0 - 6"	<b>515-575</b>	1", 2", 3", 4", 5", 6"

### Technical Data

Block pitch accuracy:  $\pm(1+L/150)\mu\text{m}$ ,  
 L=Length to check (mm)  
 Anvil block accuracy:  $\pm 0.5\mu\text{m}$



### DIMENSIONS



**Mitutoyo**