

# I N S T R U C T I O N S

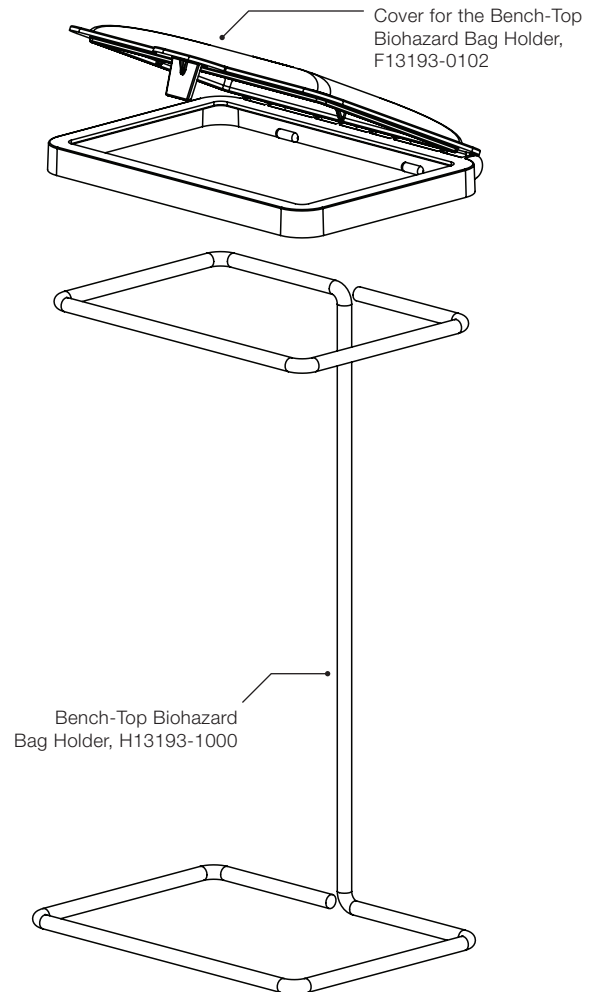
This product is designed to provide a simple yet effective cover for the popular Scienceware® Bench-Top Biohazard Bag Holder, H13193-1000. Use of this cover on the bag holder provides compliance with 29 CFR 1910.1030(d)(2)(xiii)(A), which requires a cover on any container used to store, transport, or ship biohazardous wastes.

## Directions for Use:

- 1.) Before installing the cover, be sure to line the Scienceware® Bench-Top Biohazard Bag Holder with a suitable biohazard bag. Bel-Art recommends using the 8.5 x 11" Scienceware® Biohazard Bags, item number F13166-0000.
- 2.) To install the bag, simply place the bag inside the epoxy-coated wire frame and turn the edges of the bags down over the top of the wire frame. Bag should overlap the wire frame by approx. 0.5 inch.
- 3.) With the cover in a closed position, press the cover down over the wire frame. Be sure that underside of the cover is pushed down until it contacts the wire frame.
- 4.) Product is now ready for use. Cover may be opened and closed as needed until the biohazard bag is full.
- 5.) To remove the cover, close the lid and grasp the side edges. Slowly lift the cover from the Bag Holder until it is removed.

## Care and Cleaning:

- The cover is intended to be reused over and over. It is made from durable, polypropylene plastic and may safely be cleaned by hand or in automated dish washers.
- Product may be steam autoclaved as needed. Recommended autoclave cycle is 121°C at 15 psig (1 bar) for 20 minutes. Be sure to wash product before autoclaving to prevent baking contaminants into the surface of the plastic during the autoclave process.



## Complementary Scienceware® Products

Catalog No.	Description
F13166-0000	BAG, HDPE, BENCH-TOP, BIOHAZARD ORANGE, 8-1/2X11 (100/BOX)
H13193-1000	BAG HOLDER, POXYGRID® BENCH-TOP WIRE STAND (EACH)
F13190-0100	CLAVIES® AUTOCLAVE BAG CLIP (100/PACK)
H13198-0003	ODO-CLAVE® HEAT RELEASE DEODORANT PADS, LEMON (100/BOX)

