

Small Hole Gage Set

SERIES 154

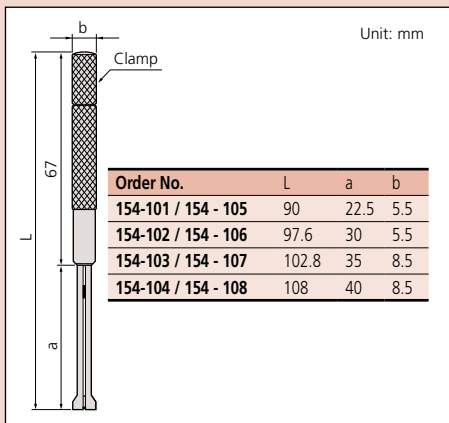
FEATURES

- Used with an outside micrometer for measuring inside diameter of bores.
- 4 sizes of gages are supplied in a fitted pouch.
- Extra long for gaging deep and shallow holes, slots and similar workpieces.
- Gaging surface is fully hardened to ensure long tool life.



154-901

DIMENSIONS



SPECIFICATIONS

Metric	
Total range	Set Order No.
ø3 - 13mm (4-gage set)	154-902
	Assortment of gages
	ø3 - 5mm gage (154-101)
	ø5 - 7.5mm gage (154-102)
	ø7.5 - 10mm gage (154-103)
	ø10 - 13mm gage (154-104)

Inch	
Total range	Set Order No.
.125" - .5" DIA. (4-gage set)	154-901
	Assortment of gages
	.125" - .2" DIA. gage (154-105)
	.2" - .3" DIA. gage (154-106)
	.3" - .4" DIA. gage (154-107)
	.4" - .5" DIA. gage (154-108)

Telescoping Gage Set

SERIES 155

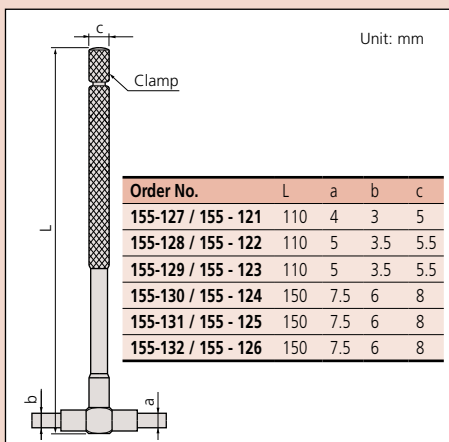
FEATURES

- Spring-loaded plunger expands within the bore (or groove), allowing determination of the internal diameter (or groove width).
- With a knurled clamp.
- Supplied in a fitted pouch.



155-903

DIMENSIONS



SPECIFICATIONS

Metric	
Total range	Set Order No.
8 - 150mm (6-gage set)	155-905
	Included in set
	8 - 12.7mm gage (155-127)
	12.7 - 19mm gage (155-128)
	19 - 32mm gage (155-129)
	32 - 54mm gage (155-130)
	54 - 90mm gage (155-131)
	90 - 150mm gage (155-132)

Inch	
Total range	Set Order No.
.313" - 6" (6-gage set)	155-903
	Included in set
	.313" - .5" gage (155-121)
	.5" - .75" gage (155-122)
	.75" - 1.25" gage (155-123)
	1.25" - 2.125" gage (155-124)
	2.125" - 3.5" gage (155-125)
	3.5" - 6" gage (155-126)
.50" - 6" (5-gage set)	155-904
	155-122, 155-123, 155-124, 155-125, 155-126
.315" - 2.125" (4-gage set)	155-907
	155-121, 155-122, 155-123, 155-124

Mitutoyo