

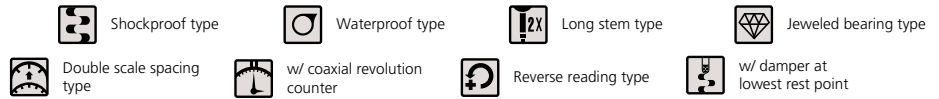
Dial Indicators

SERIES 2 — Metric Standard Type

Series 2 dial indicators are Mitutoyo's most popular and have the widest application.

FEATURES

- Standard 0.01mm graduation dial gages having an outer frame with an outside diameter of 57mm. All types come with limit pins and an outer-frame clamp as standard.
- The outer clamp and lifting lever (optional) can be attached to either the right or left side. These parts can be easily installed and removed without tools.
- Secured adhesion between the outer frame and crystal, as well as the use of an O-ring, protect against water and oil permeation via the front face.
- The stem spindle is made of high-strength quench-hardened stainless steel for longevity.
- A carbide contact point is used.
- The grand gear uses stainless steel that is resistant to wear and deformation.
- Application of a hard coating on the surface of the crystal makes the gage highly scratch- and chemical-resistant.



SPECIFICATIONS

Metric

Stem dia. ø8mm M2.5 x 0.45 Thread

ISO/JIS type

Graduation	Range	Range / Rev	Dial reading	Order No.		Accuracy	Measuring Force	Shockproof	Waterproof	Long stem	Jeweled bearing	Double scale spacing	Coaxial revolution counter	Reverse reading	Damper at lowest rest point
				w/ lug	Flat-back										
0.001mm	1mm	(0.1mm)	0-100	2110S-10	2110SB-10	±0.005mm	1.5N or less	✓			✓	✓			
0.001mm	1mm	(0.1mm)	0-100	2110S-70	2110SB-70	±0.005mm	2.0N or less	✓	✓		✓	✓			
0.001mm	1mm	(0.2mm)	0-100-0	2109S-10	2109SB-10	±0.005mm	1.5N or less	✓			✓				
0.001mm	1mm	(0.2mm)	0-100-0	2109S-70	2109SB-70	±0.005mm	2.0N or less	✓	✓		✓				
0.001mm	2mm	(0.2mm)	0-100-0	2113S-10	2113SB-10	±0.007mm	1.5N or less	✓			✓				
0.001mm	5mm	(0.2mm)	0-100-100	2118S-10	2118SB-10	±0.010mm	1.5N or less				✓				
0.001mm	5mm	(0.2mm)	0-100-0	2119S-10	2119SB-10	±0.010mm	1.5N or less				✓				
0.005mm	5mm	(0.5mm)	0-50	2124S-10	2124SB-10	±0.012mm	1.5N or less				✓				
0.01mm	5mm	(1mm)	0-100	2044S	2044SB	±0.012mm	1.4N or less								
0.01mm	5mm	(1mm)	0-100	2044S-09	2044SB-09	±0.013mm	1.4N or less	✓							
0.01mm	5mm	(1mm)	0-100	2044S-60	2044SB-60	±0.012mm	2.5N or less		✓						
0.01mm	5mm	(1mm)	0-50-0	2045S	2045SB	±0.012mm	1.4N or less								
0.01mm	10mm	(1mm)	0-100	2046S	2046SB	±0.013mm	1.4N or less								
0.01mm	10mm	(1mm)	0-100	2046S-09	2046SB-09	±0.015mm	1.4N or less	✓							
0.01mm	10mm	(1mm)	0-100	2046S-60	2046SB-60	±0.013mm	2.5N or less		✓						
0.01mm	10mm	(1mm)	0-100	2310S-10	2310SB-10	±0.015mm	1.4N or less				✓		✓		
0.01mm	10mm	(1mm)	100-0	2902S	2902SB	±0.013mm	1.4N or less							✓	
0.01mm	10mm	(1mm)	0-50-0	2047S	2047SB	±0.013mm	1.4N or less								
0.01mm	20mm	(1mm)	0-100	2050S	2050SB	±0.020mm	2.0N or less								✓
0.01mm	20mm	(1mm)	0-100	2050S-60	2050SB-60	±0.020mm	2.5N or less		✓						
0.01mm	20mm	(1mm)	0-100	2050S-19	2050SB-19	±0.020mm	2.0N or less	✓			✓				✓
0.01mm	20mm	(1mm)	0-100	2320S-10	2320SB-10	±0.020mm	2.0N or less				✓		✓		✓
0.01mm	30mm	(1mm)	0-100	2052S	2052SB	±0.025mm	2.5N or less								✓
0.01mm	30mm	(1mm)	0-100	2052S-19	2052SB-19	±0.025mm	2.5N or less	✓			✓				✓
0.01mm	30mm	(1mm)	0-100	2330S-10	2330SB-10	±0.025mm	2.5N or less				✓		✓		✓
0.01mm	30mm	(1mm)	100-0	2952S	2952SB	±0.025mm	2.5N or less							✓	✓

*Use in a vertical position only (contact point downward).



20465
20465-09



20465-60



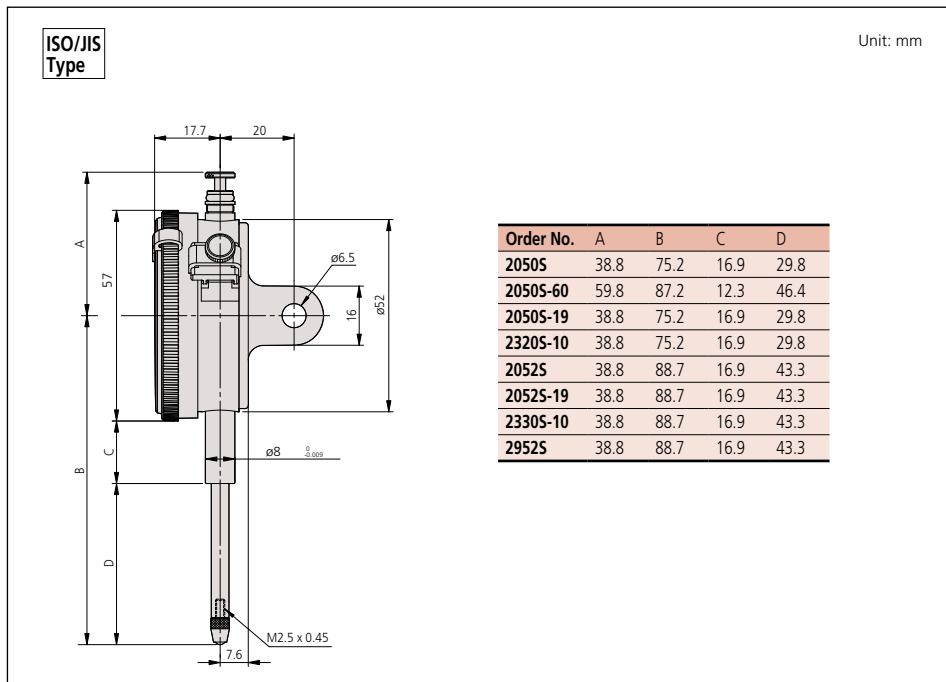
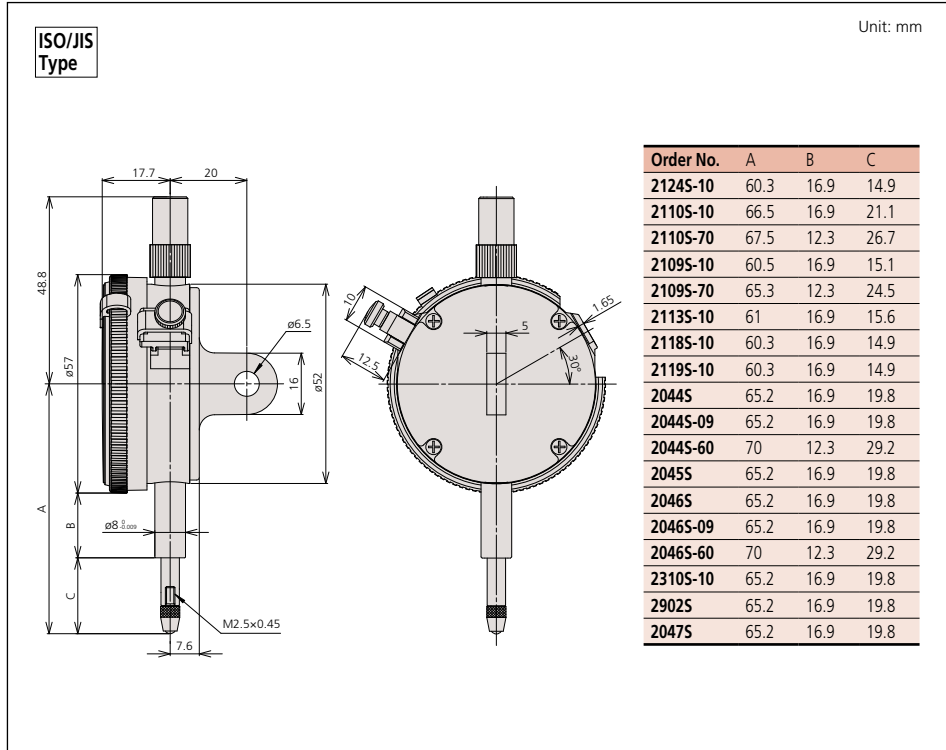
20475

Mitutoyo

Dial Indicators

SERIES 2 — Metric Standard Type

DIMENSIONS



2902S



2310S-10



2044S
2044S-60
2044S-09



2045S

Optional Accessories

- Backs (See page F-33.)
- Contact points (See page F-34.)