

Data Sheet

1009 Stainless Steel Case Gauge

FEATURES

- Meets ASME B40.100 specifications
- Corrosion resistant SS case
- Dry gauges are field fillable
- PowerFlex™ movement provides superior resistance to shock, vibration and pulsation
- True Zero™ reduces reading errors by using “zero box” instead of conventional dial pins
- PLUS!™ performance available for liquid filled performance with a dry gauge
- MSL helium leak tested to 1X10⁻⁶ scc/s
- Ventable fill plug
- Accessory kits for easy panel mounting

TYPICAL USES

- Pumps and compressors
- Boilers
- Equipment skids
- Specialized OEM equipment
- Hydraulics and pneumatics
- Severe ambient conditions



SPECIFICATIONS

Accuracy: ASME B40.100, Grade 1A, ±1% of span (Dry)
±1.5% of span (Liquid filled)

Dial Sizes: 2½" (63mm), 3½" (100mm)

Ranges: Minimum 0-15 psi, maximum 0-15,000 psi, vacuum and compound

Wetted Materials

Tube: 316L SS tube

Process Connection: 316L SS socket (SW)
Aluminum bronze socket (AW)

Non Wetted Materials

Window: Polycarbonate (Std.), Safety glass (XSG), Polysulfone (XPS) 3½" Dial only

Dial: Black figures on white background, aluminum

Pointer: Black, aluminum, adjustable (Std.), micrometer (XMP)

Movement: PowerFlex movement
Bottom plate – 304 SS
Upper plate – 304 SS
Pin – 304 SS
Hairspring assembly – 304 SS
Pinion – 304 SS
Segment – Glass filled polyester

Case: 304 SS (Std.), 316L SS (XYW)

Ring: 304 SS (Std.), 316L SS (XYW)

Process Connection Location: Lower, Back, Top, 3 o'clock, 9 o'clock

Process Connection Sizes: ⅛ NPT, ¼ NPT (see ordering code for more options)

KEY BENEFITS

- IP65 Rating
- NEMA 4X
- CRN Approved
- PED
- PLUS!™ Performance (XLL)

Dampening: Glycerin case fill (Std. liquid fill), Silicone case fill (XGV), Halocarbon case fill (XGX), PLUS! Performance (XLL)

Weather Protection: IP65 (Plug closed), IP54 (Plug vented)
NEMA 4X (Plug closed)

Approvals: CRN, RoHS, PED

MIN/MAX TEMPERATURE LIMITS

Version	Ambient	Process	Storage
Dry	-40/200°F (-40/93°C)	-40/250°F (-40/121°C)	-40/250°F (-40/121°C)
PLUS!	-40/150°F (-40/66°C)	-40/200°F (-40/93°C)	-40/150°F (-40/66°C)
Glycerin Fill	20/150°F (-7/66°C)	20/200°F (-7/93°C)	0/150°F (-18/66°C)
Silicone Fill	-40/150°F (-40/66°C)	-40/200°F (-40/93°C)	-40/150°F (-40/66°C)
Halocarbon Fill	-40/150°F (-40/66°C)	-40/200°F (-40/93°C)	-40/150°F (-40/66°C)

Data Sheet

1009 Stainless Steel Case Gauge

ORDERING CODE

Example: **251009 SW L 02 L XC4 15#**

Dial Size/Series Code	251009	SW	L	02	L	XC4	15#
Dial Size/Series Code							
251009 – SS case	251009						
351009 – SS case							
System							
AW - 316L SS tube/Aluminum, bronze connection (Max. pressure 1000 psi)							
SW - 316L SS tube/316L SS process connection (Max. pressure 15,000 psi)		SW					
Case Fill							
Dry, liquid fillable case							
L - Liquid filled case (Glycerin standard)			L				
Process Connection Sizes							
01 - 1/8 NPT Male							
02 - 1/4 NPT Male				02			
04 - 1/2 NPT Male							
RW - SAE 1/16 & 20 Straight thread							
EJ - 7/16 X 20 UNF-3A 37° flare							
KJ - 1/4 Straight JIS, BSP - 1009SW							
KA - 1/4 Tapered JIS, BSP - 1009SW							
13 - G 1/4" DIN							
JP - 1/4" Tubing, no throttle plug (max pressure 10,000 psi)							
JQ - 6mm Tubing, no throttle plug (max pressure 6,000 psi)							
JL - 9/16" 18 UNF-2A, N/A on 25 1009 lower							
Connection Location							
L - Lower mount connection					L		
B - Lower back mount connection							
D - Side connection (3 o'clock)							
E - Side connection (9 o'clock)							
T - Top connection							
Options (if choosing an option(s) must include an "X")							
LL - PLUS! ™ performance						X__	
GV - Silicone case fill							
GX - Halocarbon case fill							
TU - Throttle plug for ranges up to 1000 psi							
TS - Throttle plug for ranges up to 15,000 psi							
6B - Cleaned for oxygen service							
SG - Safety glass							
PS - Polysulfone window (3 1/2" dial only)							
EO - Adjustable red set hand							
SH - Red set hand, stationary							
NH - SS tag wired to case							
FF - Front flange							
FW - Back flange							
UC - U-clamp							
EA - External zero adjust (3 1/2" dial only)							
C4 - Individual calibration chart in accordance with ASME B40.100:2013. Accuracy traceable to N.I.S.T						C4	
SM - All SS movement							
YW - 316L SS case and ring							
Range (coding examples only, see range table for all standard ranges)							
Single Scales							
15# - 15 psi							15#
1BR - 1 bar							
1KSC - 1 kilograms per sq. cm							
100KP - 100 kilopascal							
Dual Scales							
15#/BR - 15 psi inner scale, 1 bar outer scale							
1BR/# - 1 bar inner scale, 15 psi outer scale							

Data Sheet

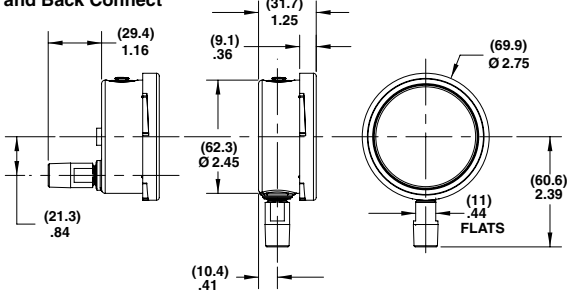
1009 Stainless Steel Case Gauge

STANDARD RANGES				
psi	bar	kPa	Mpa	kg/cm ²
30IMV	-1BR	-100KP	-.1MP	-1KSC
-	-1&.6BR	-100&60KP	-.1&.06MP	-1&.6KSC
30IMV&15#	-	-	-	-
-	-1&1.5BR	-100&150KP	-.1&.15MP	-1&1.5KSC
30IMV&30#	-	-	-	-
-	-1&3BR	-100&300KP	-.1&.3MP	-1&3KSC
30IMV&60#	-	-	-	-
-	-1&5BR	-100&500KP	-.1&.5MP	-1&5KSC
30IMV&100#	-	-	-	-
-	1&9BR	-100&900KP	-.1&.9MP	-1&9KSC
15#	1BR	100KP	.1MP	1KSC
20#	-	-	-	-
-	1.6BR	160KP	.16MP	1.6KSC
30#	-	-	-	-
-	2.5BR	250KP	.25MP	2.5KSC
60#	4BR	400KP	.4MP	4KSC
-	6BR	600KP	.6MP	6KSC
100#	-	-	-	-
120#	-	-	-	-
-	10BR	1,000KP	1MP	10KSC
160#	-	-	-	-
200#	-	-	-	-
-	16BR	1,600KP	1.6MP	16KSC
300#	-	-	-	-
-	25BR	2,500KP	2.5MP	25KSC
400#	-	-	-	-
500#	-	-	-	-
600#	40BR	4,000KP	4MP	40KSC
800#	-	-	-	-
-	60BR	6,000KP	6MP	60KSC
1,000#	-	-	-	-
1,500#	100BR	10,000KP	10MP	100KSC
2,000#	-	-	-	-
-	160BR	16,000KP	16MP	160KSC
3,000#	-	-	-	-
-	250BR	25,000KP	25MP	250KSC
4,000#	-	-	-	-
5,000#	-	-	-	-
6,000#	400BR	40,000KP	40MP	400KSC
8,000#	-	-	-	-
-	600BR	60,000KP	60MP	600KSC
10,000#	-	-	-	-
15,000#	1,000BR	100,000KP	100MP	1,000KSC

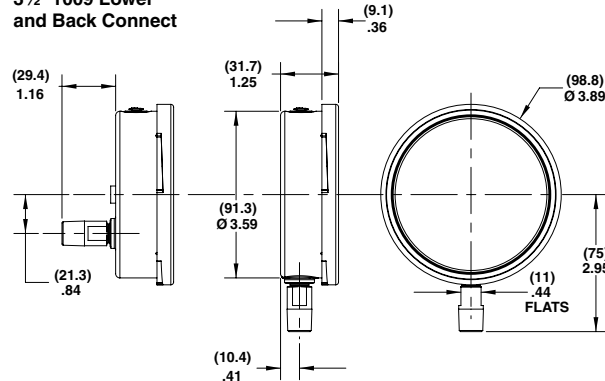
1009 Stainless Steel Case Gauge

DIMENSIONS (dimensions in [] are millimeters)

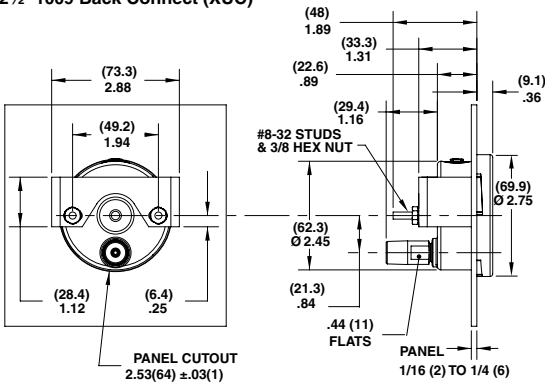
2½" 1009 Lower and Back Connect



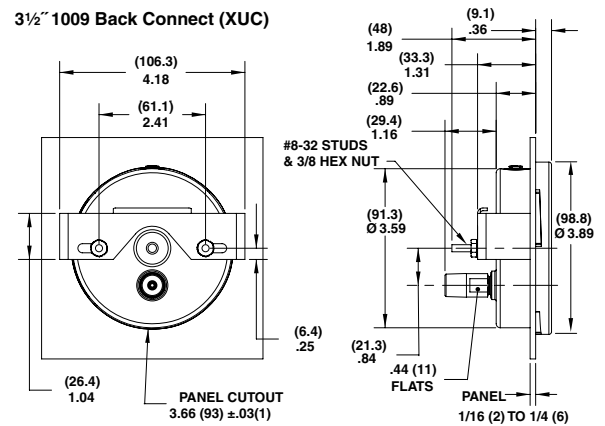
3½" 1009 Lower and Back Connect



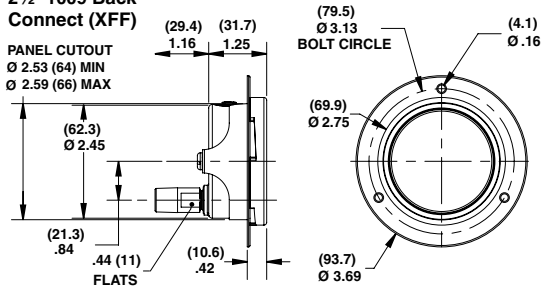
2½" 1009 Back Connect (XUC)



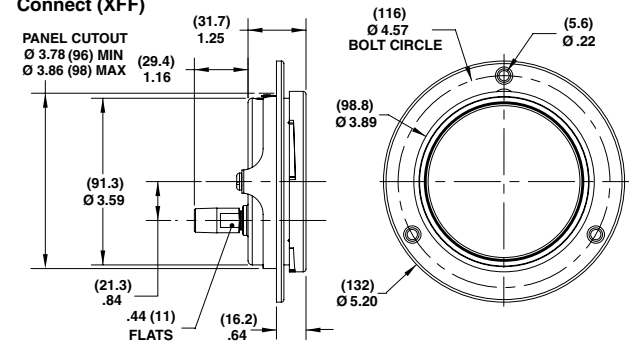
3½" 1009 Back Connect (XUC)



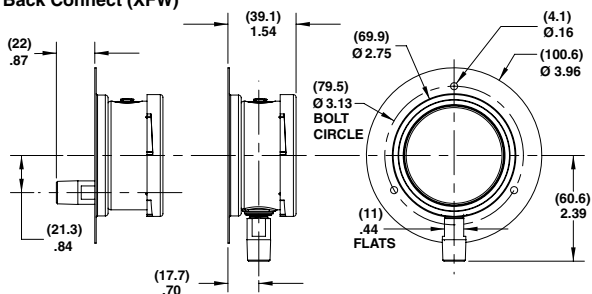
2½" 1009 Back Connect (XFF)



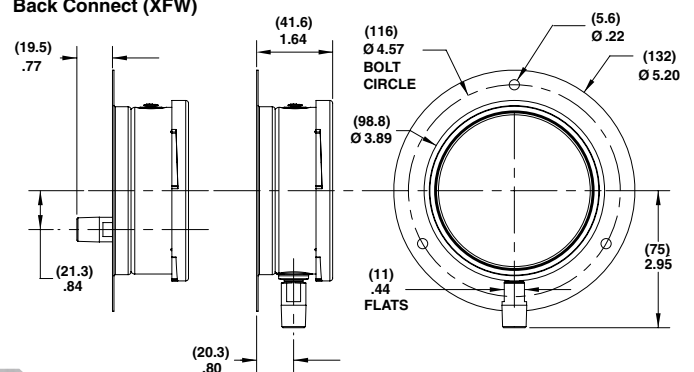
3½" 1009 Back Connect (XFF)



2½" 1009 Lower and Back Connect (XFW)



3½" 1009 Lower and Back Connect (XFW)

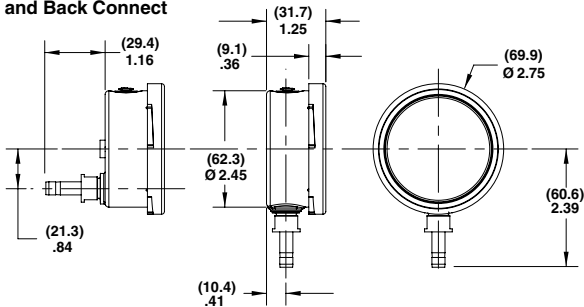


Data Sheet

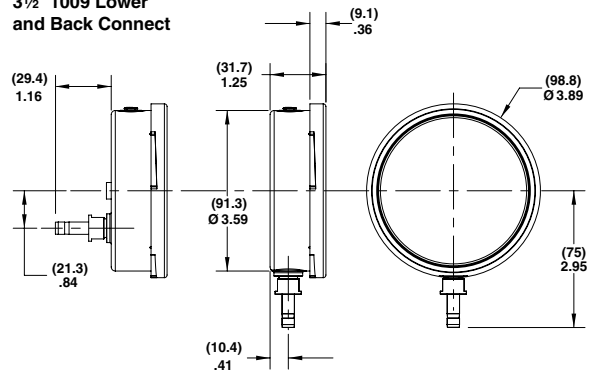
1009 Stainless Steel Case Gauge with Tubing Connections

DIMENSIONS (dimensions in [] are millimeters)

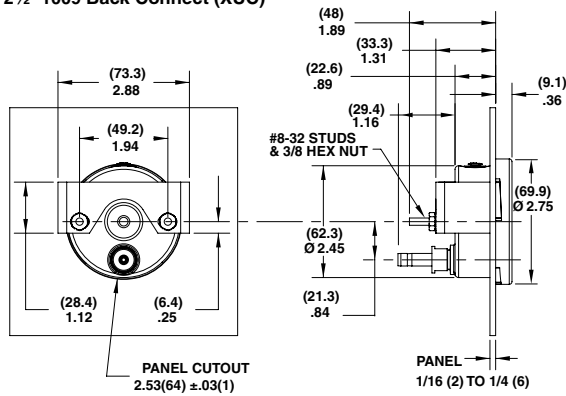
2½" 1009 Lower and Back Connect



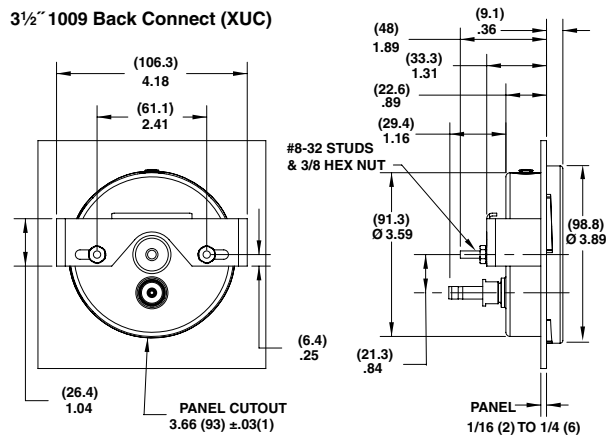
3½" 1009 Lower and Back Connect



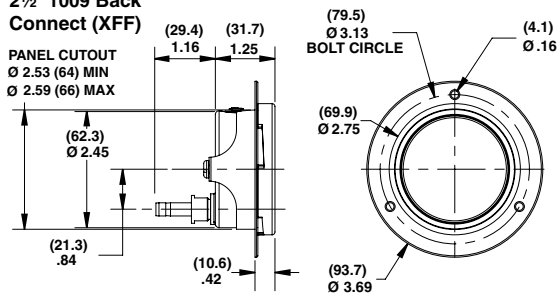
2½" 1009 Back Connect (XUC)



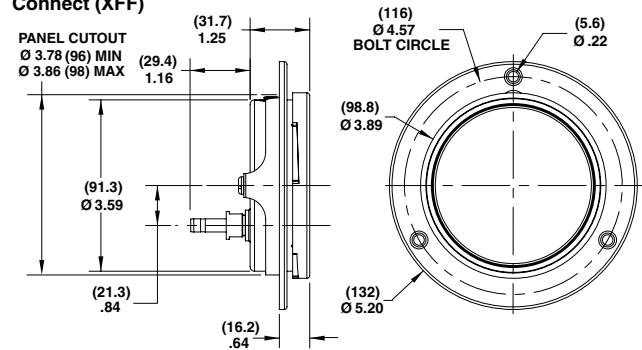
3½" 1009 Back Connect (XUC)



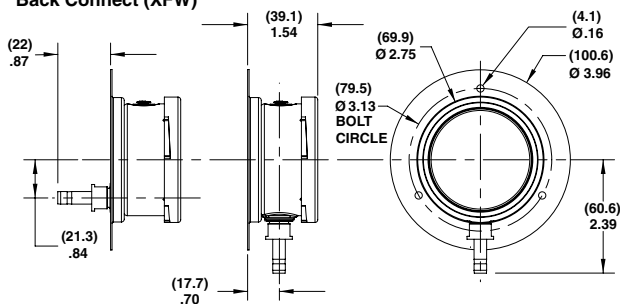
2½" 1009 Back Connect (XFF)



3½" 1009 Back Connect (XFF)



2½" 1009 Lower and Back Connect (XFW)



3½" 1009 Lower and Back Connect (XFW)

