

**FLUKE®**

**373**  
Clamp Meter

**Users Manual**

PN 3612805  
July 2010

© 2010 Fluke Corporation. All rights reserved. Printed in Taiwan. Specifications are subject to change without notice.  
All product names are trademarks of their respective companies.

### **LIMITED WARRANTY AND LIMITATION OF LIABILITY**

This Fluke product will be free from defects in material and workmanship for three years from the date of purchase. This warranty does not cover fuses, disposable batteries, or damage from accident, neglect, misuse, alteration, contamination, or abnormal conditions of operation or handling. Resellers are not authorized to extend any other warranty on Fluke's behalf. To obtain service during the warranty period, contact your nearest Fluke authorized service center to obtain return authorization information, then send the product to that Service Center with a description of the problem.

THIS WARRANTY IS YOUR ONLY REMEDY. NO OTHER WARRANTIES, SUCH AS FITNESS FOR A PARTICULAR PURPOSE, ARE EXPRESSED OR IMPLIED. FLUKE IS NOT LIABLE FOR ANY SPECIAL, INDIRECT, INCIDENTAL OR CONSEQUENTIAL DAMAGES OR LOSSES, ARISING FROM ANY CAUSE OR THEORY. Since some states or countries do not allow the exclusion or limitation of an implied warranty or of incidental or consequential damages, this limitation of liability may not apply to you.

Fluke Corporation  
P.O. Box 9090  
Everett, WA 98206-9090  
U.S.A.

Fluke Europe B.V.  
P.O. Box 1186  
5602 BD Eindhoven  
The Netherlands

11/99

# Table of Contents

Title	Page
Introduction.....	1
How to Contact Fluke .....	1
Safety Information .....	2
The Meter .....	7
Electrical Specifications.....	15
Mechanical Specifications .....	16
Environmental Specifications .....	16

## ***Introduction***

### **⚠⚠ Warning**

**Read "Safety Information" before you use the Meter.**

The Fluke 373 Clamp Meter (the Meter) measures true-rms ac and dc voltage, ac current, resistance, and capacitance.

## ***How to Contact Fluke***

To contact Fluke, call one of the following telephone numbers:

- Technical Support USA: 1-800-44-FLUKE (1-800-443-5853)
- Calibration/Repair USA: 1-888-99-FLUKE (1-888-993-5853)
- Canada: 1-800-36-FLUKE (1-800-363-5853)
- Europe: +31 402-675-200
- Japan: +81-3-3434-0181
- Singapore: +65-738-5655
- Anywhere in the world: +1-425-446-5500

---

### **Safety Information**

A **Warning** identifies conditions and actions that pose hazard(s) to the user; A **Caution** identifies conditions and procedures that could cause Meter damage, equipment under test damage, or permanent loss of data.

Symbols used on the Meter and in this manual are explained in Table 1.

#### **⚠⚠ Warning**

To prevent possible electrical shock or personal injury, follow these guidelines:

- Use the Meter only as specified in this manual or the protection provided by the Meter can be compromised.
- Examine the case before you use the Meter. Look for cracks or missing plastic. Carefully look at the insulation around the connectors.
- Never measure ac current while the test leads are inserted into the input jacks.
- Make sure the battery door is closed and latched before operating the Meter.

**Clamp Meter**  
**Safety Information**

---

- Remove the test leads from the Meter before the battery door is opened.
- Examine the test leads for damaged insulation or exposed metal. Check test lead continuity. Replace damaged test leads before using the Meter.
- Do not use the Meter if it operates incorrectly. Protection can be compromised. When in doubt, have the Meter serviced.
- Do not use the Meter around explosive gas, vapor or in damp or wet environments.
- When measuring, keep fingers behind the Tactile Barrier. See "The Meter" ①.
- Use only type AA batteries, properly installed in the Meter case, to power the Meter.
- To avoid false readings that can lead to electrical shock and injury, replace the batteries as soon as the low battery indicator (⊕) appears.
- When servicing the Meter, use only specified replacement parts.
- Have the Meter serviced only by qualified service personnel.
- Be careful around voltages > 30 V ac rms, 42 V ac peak, or 60 V dc. Such voltages pose a shock hazard.
- Do not apply more than the rated voltage, as marked on the Meter, between the terminals or between any terminal and earth ground.
- When using the probes, keep fingers behind the finger guards on the probes.

- Connect the common test lead before connecting the live test lead. When disconnecting test leads, disconnect the live test lead first.
- Do not work alone so assistance can be rendered in an emergency.
- Use extreme caution when working around bare conductors or bus bars. Contact with the conductor could result in electric shock.
- Adhere to local and national safety codes. Individual protective equipment must be used to prevent shock and arc blast injury where hazardous live conductors are exposed.
- Disconnect circuit power and discharge all high-voltage capacitors before you measure resistance, continuity, or capacitance.
- Do not measure current in circuits carrying more than 600 V or 600 A with the Meter Jaw.
- Never operate the Meter with the back cover removed or the case open.

**⚠ Caution**

To avoid possible damage to the Meter or to equipment under test:


- Use the proper jacks, function, and range for the measurement application.
- Clean the case and accessories with a damp cloth and mild detergents only. Do not use abrasives or solvents. Make sure all water is removed before use.

**Clamp Meter**  
**Safety Information**

**Table 1. Symbols**

Symbol	Meaning	Symbol	Meaning
	AC (Alternating Current)		Earth ground
	DC (Direct Current)		Do not dispose of this product as unsorted municipal waste. Go to Fluke's website for recycling information.
	Hazardous voltage		Conforms to European Union directives.
	Risk of Danger. Important information. See Manual.		Conforms to relevant North American Safety Standards.
	Battery		Double insulated
	Examined and licensed by TÜV Product Services.		Conforms to relevant Australian standards.

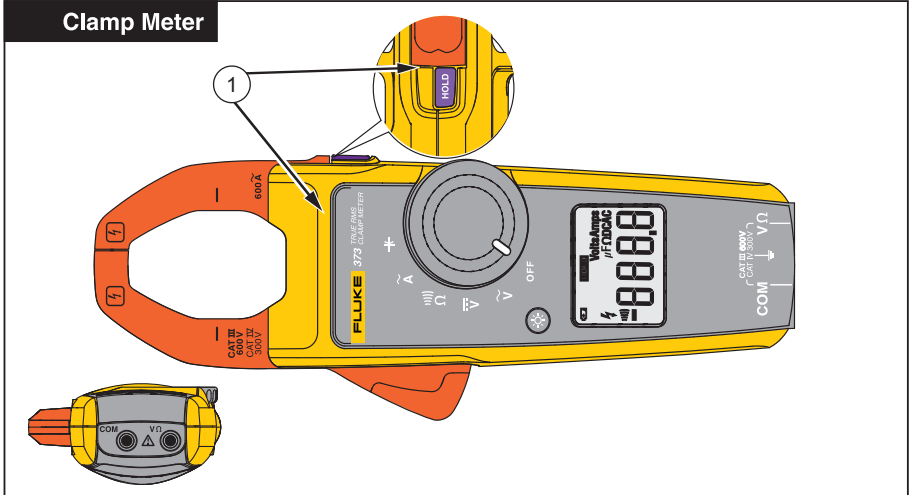


Symbol	Meaning	Symbol	Meaning
CAT III	IEC Measurement Category III CAT III equipment has protection against transients in equipment in fixed-equipment installations, such as distribution panels, feeders and short branch circuits, and lighting systems in large buildings.	CAT IV	IEC Measurement Category IV CAT IV equipment has protection against transients from the primary supply level, such as an electricity Meter or an overhead or underground utility service.
	Application around and removal from HAZARDOUS LIVE conductors is permitted.		

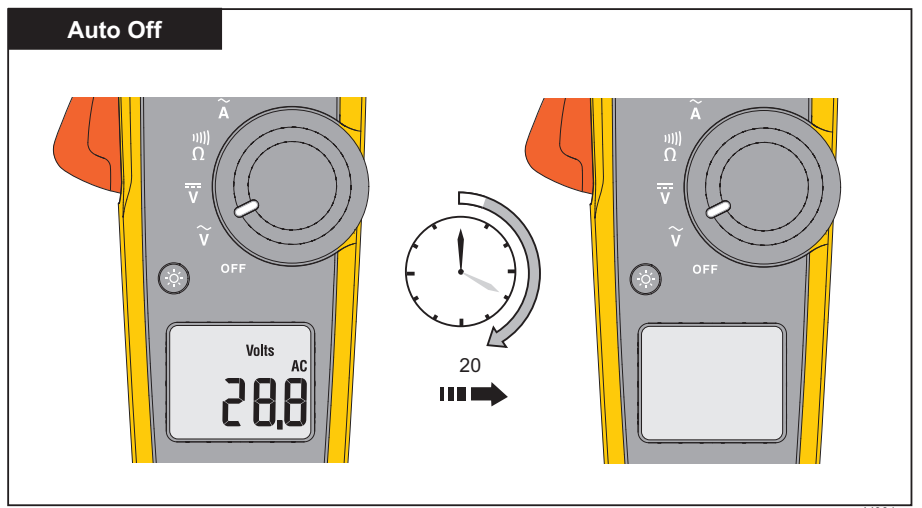
*Note*

*The Measurement Category (CAT) and voltage rating of any combination of test probe, test probe accessory, current clamp accessory, and the Meter is the LOWEST rating of any individual component.*

The Meter

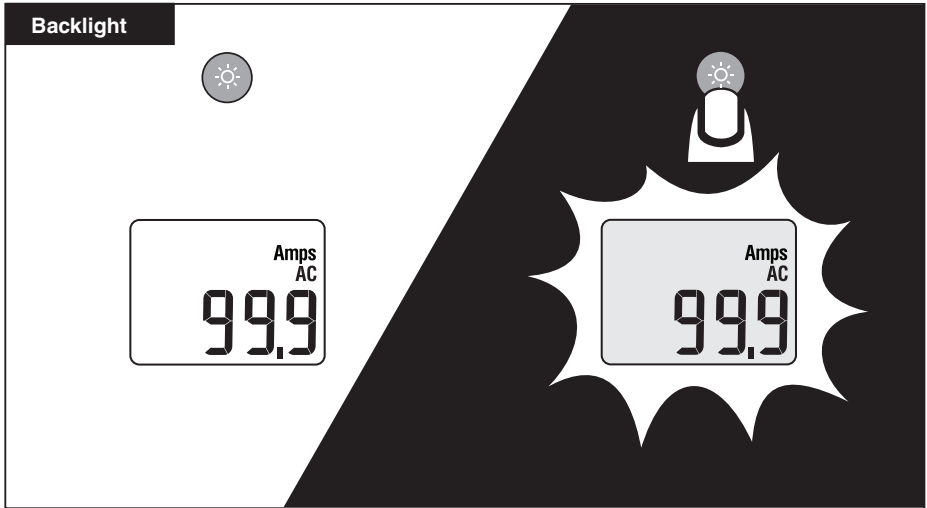


ghi008.eps



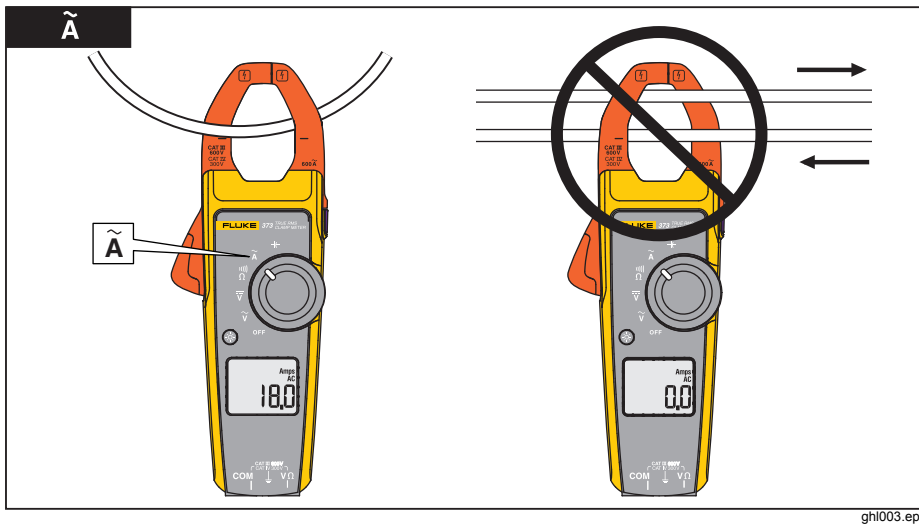
ghi001.eps

*Clamp Meter*  
*The Meter*

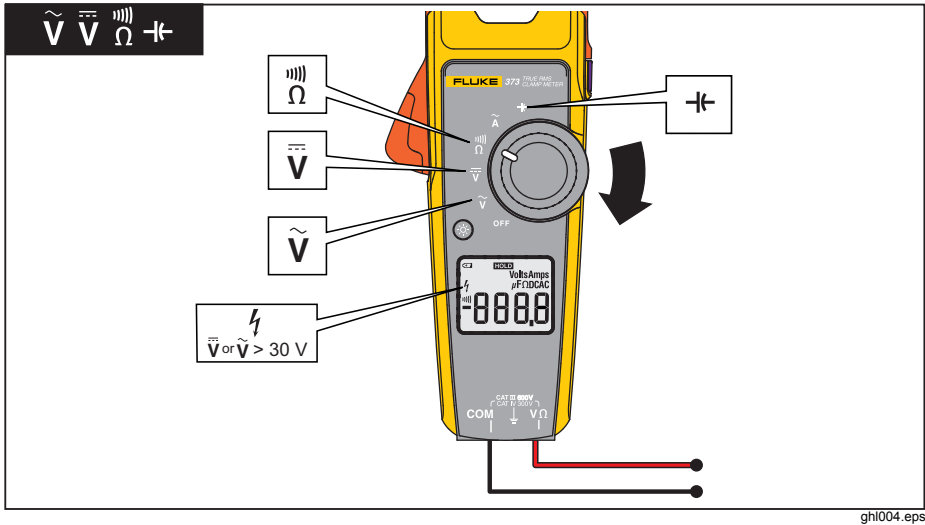


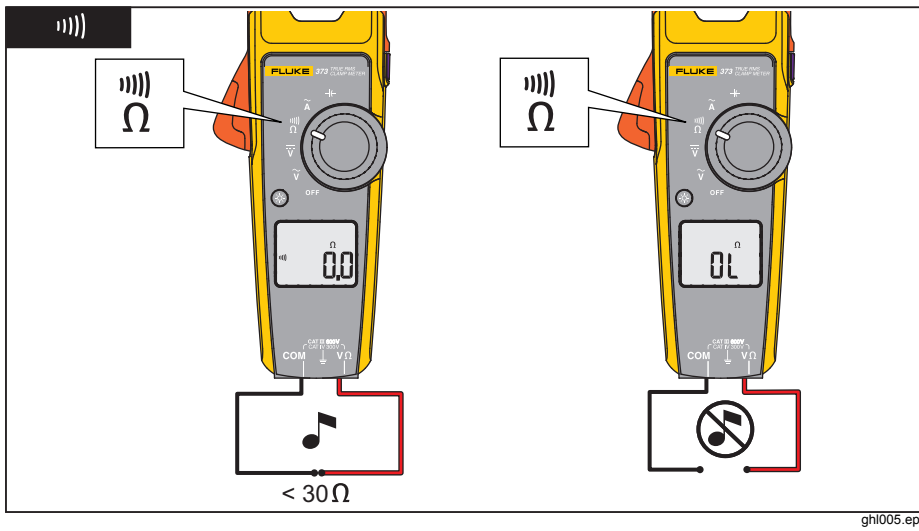
ghi002.eps

373  
Users Manual



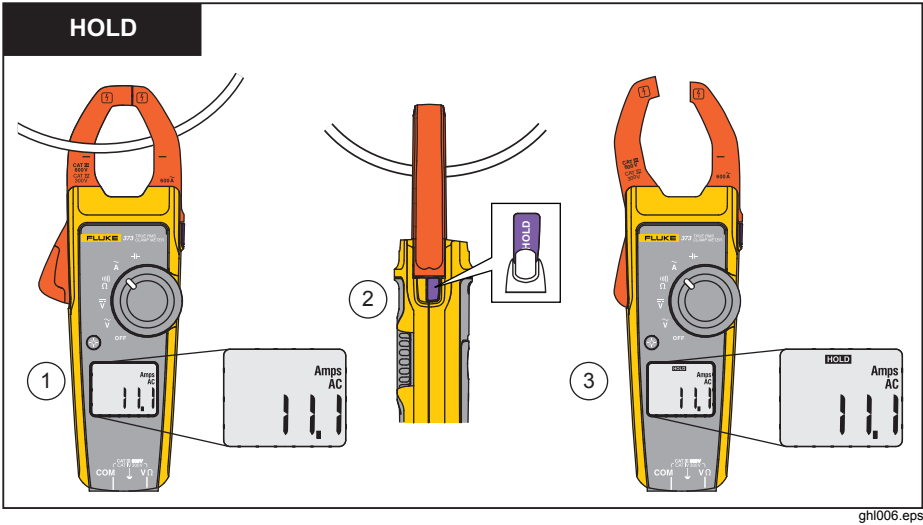
**Clamp Meter**  
*The Meter*





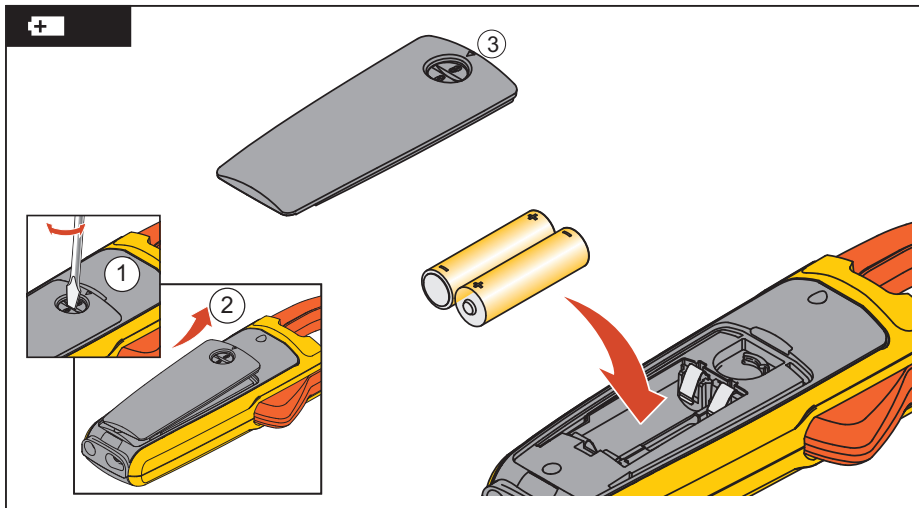
ghi005.eps

**Clamp Meter**  
*The Meter*





373  
Users Manual



gh1007.eps

**Electrical Specifications**

**AC Current**

Range .....600.0 A  
Resolution .....0.1 A  
Accuracy .....2 % ± 5 digits (48 – 62 Hz)  
Crest Factor (50/60 Hz) .....2.5 @ 600 A

**AC Voltage**

Range .....600.0 V  
Resolution .....0.1 V  
Accuracy .....1.0 % ± 5 digits (48 – 62 Hz)

**DC Voltage**

Range .....600.0 V  
Resolution .....0.1 V  
Accuracy .....1 % ± 5 digits




**Resistance**

Range .....600.0 Ω/6000 Ω  
Resolution .....0.1 Ω/1 Ω



**Clamp Meter**  
*The Meter*

---

Operating Altitude .....	3000 meters
Storage Altitude .....	12,000 meters
EMI, EMC.....	Meets all applicable requirements in EN61326-1:2006
Temperature Coefficients.....	Add 0.1 x specified accuracy for each degree C above 28 °C or below 18 °C
Safety Compliance.....	ANSI/ISA S82.02.01:2004 CAN/CSA-C22.2 No. 61010-1-04 IEC/EN 61010-1:2001, 600V CAT III, 300V CAT IV Pollution Degree 2 EN/IEC 61010-2-32:2002 EN/IEC 61010-031:2002/A1:2008 <b>CE</b>
Agency Approvals .....	  
Batteries .....	2 AA, NEDA 15A, IEC LR6