

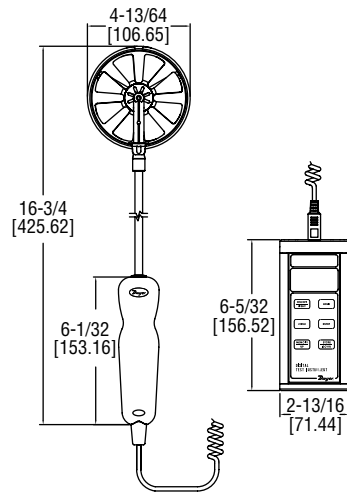
Dwyer

MODEL 473B | DWYER

CE

100 MM VANE THERMO-ANEMOMETER TEST INSTRUMENT

Measures Air Velocity or Air Volume, Temperature, and Humidity Simultaneously



Scan here
to watch
product video

The **MODEL 473B** 100 mm Vane Thermo-Anemometer Test Instrument is a versatile unit that quickly and easily measures air velocity or volumetric air flow, as well as air temperature and humidity in imperial or metric units. A stainless steel 100 mm vane probe is included, which has a comfortable hand grip. The extruded aluminum housing fully protects electronics, yet is lightweight and comfortable to hold.

FEATURES/BENEFITS

- Compatible with Dwyer AP1 thermo-anemometer and RP1 thermo-hygrometer wired probes (sold separately)
- Included 100 mm vane probe is able to measure air velocity, volumetric air flow, temperature, and humidity
- High contrast and backlit LCD for visibility in any condition
- Able to store up to 99 readings for later evaluation

APPLICATIONS

- Residential balancing
- HVAC inspections

MODEL CHART

Model	Description
473B-1	Vane thermo-anemometer test instrument

SPECIFICATIONS

Service: Dry, clean air.

Temperature Limits: Process: -20 to 212°F (-29 to 100°C); Ambient: 5 to 125°F (-15 to 51°C)

Display: 4.5 digit backlit display.

Range: Air velocity: 40 to 5000 fpm (0.2 to 25 m/s); Volumetric air flow: 19,999 in selected flow units; Temperature: -20 to 212°F (-29 to 100°C); Relative humidity: 0 to 100% RH.

Accuracy: Air velocity: $\pm 1.5\%$ of reading ± 20 fpm (± 0.1 m/s) [0.25 to 10 m/s]; $\pm 1.5\%$ of reading ± 40 fpm (± 0.2 m/s) [10 to 20 m/s]; $\pm 1.5\%$ of reading ± 60 fpm (± 0.3 m/s) [20 to 25 m/s]; Temperature: $\pm 0.54^\circ\text{F}$ @ 77°F ($\pm 0.3^\circ\text{C}$ @ 25°C); Relative Humidity: $\pm 2\%$ @ 77°F (25°C) [10 to 90% RH]; $\pm 4\%$ [0 to 10, 90 to 100% RH].

Response Time: Air velocity: 1 s; Volumetric air flow: 1 s; Temperature: 1.5 s; Relative humidity: 1.5 s.

Probe Length: 8" (203 mm) insertion.

Cable Length: 28" (71 cm) retracted; 6' (18.3 m) extended.

Vane Material: Anodized aluminum.

Power Requirements: 9 V alkaline battery, installed non-functional, user replaceable.

Weight: 18.4 oz (521 g).

Agency Approvals: CE.

ACCESSORIES

Model	Description
A-47X-BOOT	Protective magnetic rubber boot
A-VPX-CKIT	Vane hood kit
AP1	Hot wire thermo-anemometer probe with coiled cable
RP1	Thermo-hygrometer probe with coiled cable
UHH-C1	Soft carrying case
VP1	100 mm vane thermo-anemometer probe with coiled cable (replacement)



A-47X-BOOT
(manometer not included)



A-VPX-CKIT



AP1



RP1



UHH-C1



VP1