

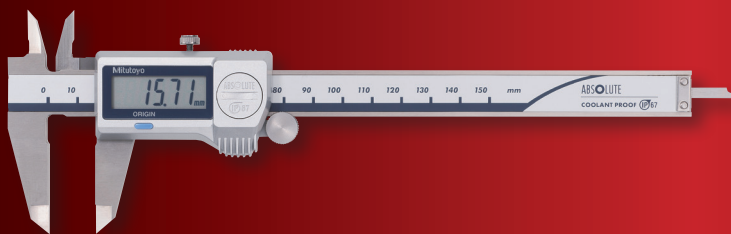
IP67 ABSOLUTE Coolant-Proof Caliper



For use in environments with heavy exposure to coolants.



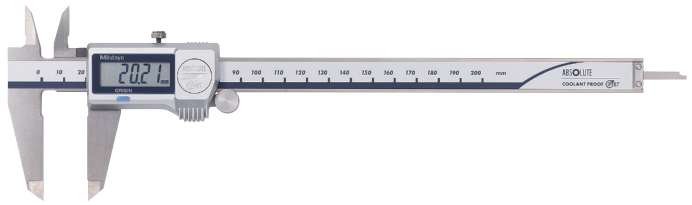
Small Tool Instruments and Data Management



- Patent registered in Japan, U.S.A., China, Germany, U.K., France, Switzerland, and India.
- Design pending application in Japan, U.S.A., EU member nations, and China.

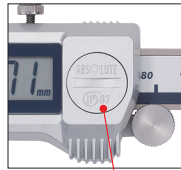


IP67 ABSOLUTE Coolant-Proof Caliper



Features

- ABS coolant-proof caliper with dust/water protection conforming to IP67 Level. Can be used in workshop conditions exposed to coolant, water, dust or oil. 100% air-leak test ensures every caliper conforms to IP67.
 - Display readings increased 22% for improved visibility.
 - Easy removal of battery cap.
 - Extended battery life of 5 years
 - Easy to use — advanced ergonomic design uses only 1 button.*
- * 2 buttons for in/mm models



Battery cap

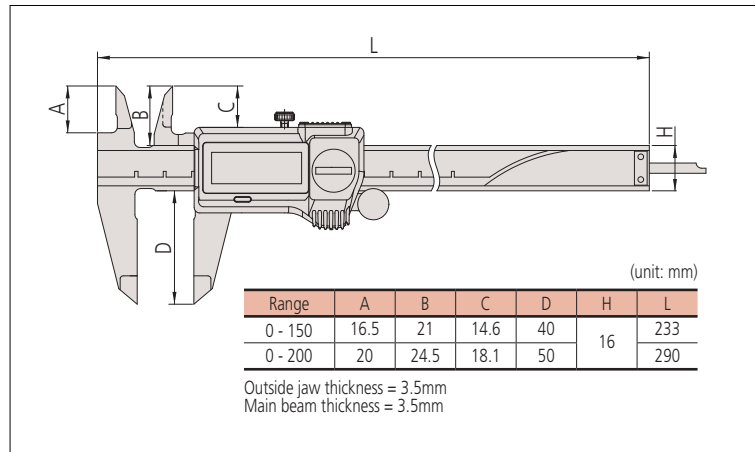
- Incorporates Mitutoyo's ABSOLUTE measurement system. No need to reset the origin.
- The automatic power-on/off function shuts down the LCD after 20 minutes of inactivity, but the ABS scale origin is unaffected. Power is restored to the display when the slider is moved.
- Stepped features can be measured.
- Can be integrated into statistical process control and measurement systems.
- A factory inspection certificate is supplied as standard.

Specifications

Metric									
Order No.	Range	Accuracy	Mass	Measurement data output port	Thumb roller	Remarks			
500-702-20	0 - 150mm	±0.02mm	168g	—	—				
500-703-20	0 - 200mm		198g						
500-712-20	0 - 150mm		168g						
500-713-20	0 - 200mm		198g						
500-719-20	0 - 150mm		168g				✓	✓	Depth bar ø1.9mm
500-721-20	0 - 150mm		168g						
500-722-20	0 - 200mm		198g						Carbide-tipped jaws for outside measurement
500-723-20	0 - 150mm		168g						Carbide-tipped jaws for outside and inside measurement
500-724-20	0 - 200mm		198g						Carbide-tipped jaws for outside and inside measurement

Inch/Metric									
Order No.	Range	Accuracy	Mass	Measurement data output port	Thumb roller	Remarks			
500-752-20	0 - 6"	±0.011"/±0.02mm	168g	—	—				
500-753-20	0 - 8"		198g						
500-762-20	0 - 6"		168g				✓		
500-763-20	0 - 8"		198g						
500-768-20	0 - 6"		168g				✓		Depth bar ø1.9mm
500-769-20	0 - 6"		168g						
500-731-20	0 - 6"		168g				✓		Carbide-tipped jaws for outside measurement
500-732-20	0 - 8"		198g						
500-733-20	0 - 6"		168g				—		Carbide-tipped jaws for outside and inside measurement
500-734-20	0 - 8"		198g						
500-735-20	0 - 6"	168g	✓		Carbide-tipped jaws for outside measurement				
500-736-20	0 - 8"	198g							
500-737-20	0 - 6"	168g	✓		Carbide-tipped jaws for outside and inside measurement				
500-738-20	0 - 8"	198g							

Dimensions



Technical Data

- Resolution: 0.01mm or .0005"/0.01mm
- Repeatability: 0.01mm or .0005"/0.01mm
- Power supply: **SR44** (1 pc), **938882**,
- Battery life: Approx. 5 years under normal use
- Max. response speed: Unlimited

Optional accessories

Dedicated for the models equipped with digimatic output.

● Connecting cables for IT/DP/MUX

No.05CZA624: SPC cable with data button (1m)

No.05CZA625: SPC cable with data button (2m)



● USB Input Tool Direct

No.06ADV380A: SPC cable for USB-ITN-A (2m)

● Connecting cables for U-WAVE-T

No.02AZD790A: SPC cable for U-WAVE with data button (160mm)

No.02AZE140A: SPC cable for footswitch

Mitutoyo

Note: All information regarding our products, and in particular the illustrations, drawings, dimensional and performance data contained in this printed matter as well as other technical data are to be regarded as approximate average values. We therefore reserve the right to make changes to the corresponding designs. The stated standards, similar technical regulations, descriptions and illustrations of the products were valid at the time of printing. In addition, the latest applicable version of our General Trading Conditions will apply. Only quotations submitted by ourselves may be regarded as definitive. Specifications are subject to change without notice.

Mitutoyo products are subject to US Export Administration Regulations (EAR). Re-export or relocation of our products may require prior approval by an appropriate governing authority.

Trademarks and Registrations

Designations used by companies to distinguish their products are often claimed as trademarks. In all instances where Mitutoyo America Corporation is aware of a claim, the product names appear in initial capital or all capital letters. The appropriate companies should be contacted for more complete trademark

Coordinate Measuring Machines

Vision Measuring Systems

Form Measurement

Optical Measuring

Sensor Systems

Test Equipment and Seismometers

Digital Scale and DRO Systems

Small Tool Instruments and Data Management

© 2016 Mitutoyo America Corporation

Find Quality Products Online at:

www.GlobalTestSupply.com

sales@GlobalTestSupply.com