

ABSOLUTE Coolant Proof Carbon Fiber Caliper

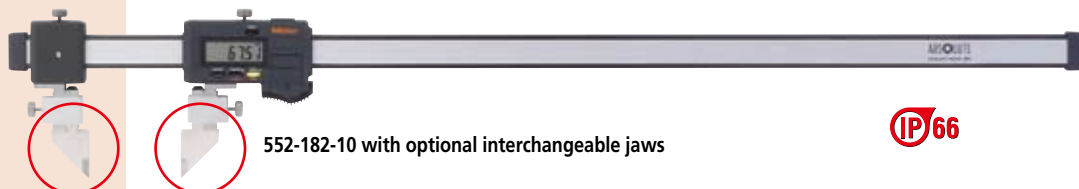
SERIES 552 — with Interchangeable Jaws



(Refer to page VIII for details.)

FEATURES

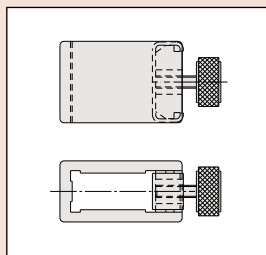
- The range of applications can be expanded by using interchangeable jaws (optional).
- Quick and easy exchanging of jaws due to the unique clamping mechanism. (A pair of clamping wheels is a standard accessory.)
- Provided with preset function for setting a desired starting point, which allows direct readout of offset measurements.
- SPC data output.



552-182-10 with optional interchangeable jaws

Technical Data

Accuracy: Refer to the list of specifications. (excluding quantizing error)
 Resolution: 0.01mm or .0005"/0.01mm
 Display: LCD
 Scale type: ABSOLUTE electromagnetic linear encoder
 Max. response speed: Unlimited
 Battery: SR44 (1 pc.), **938882**
 Battery life: Approx. 5,000 hours in continuous use
 Dust/Water protection level: IP66
 Standard accessory: Jaw clamps (2 pcs.), **05GZA033**



Functions

Origin-set, Zero-setting, Presetting, Offsetting, Data hold, Automatic power on/off, Data output, inch/mm conversion (inch/mm models)
 Alarm: Low voltage, Counting value composition error

Optional Accessories

- 05CZA624:** SPC cable with data switch (1m)
- 05CZA625:** SPC cable with data switch (2m)
- 02AZD790A:** SPC cable for U-WAVE w/ data switch (160mm)

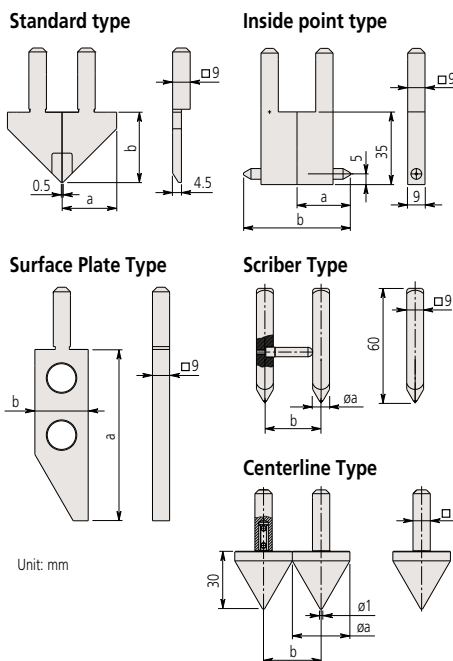


SPECIFICATIONS

Metric		
Range	Order No.	Accuracy
0 - 450mm	552-181-10	±0.04mm
0 - 600mm	552-182-10	±0.04mm
0 - 1000mm	552-183-10	±0.05mm
0 - 1500mm	552-184-10	±0.09mm
0 - 2000mm	552-185-10	±0.12mm

Inch/Metric		
Range	Order No.	Accuracy
0 - 18"	552-191-10	±.002"
0 - 24"	552-192-10	±.002"
0 - 40"	552-193-10	±.002"
0 - 60"	552-194-10	±.004"
0 - 80"	552-195-10	±.005"

Interchangeable Jaws (Optional)



Standard Type

Order No.	Components	a	b
07CZA056	Right (07CAA044), Left (07CAA045)	28mm (1.1")	30mm (1.2")

Inside Point Type

Order No.	Components	a	b
07CZA058	07CZA041 x 2pcs.	25mm	50mm
07CZA059	07CZA048 x 2pcs.	1"	2"

Scriber Type

Order No.	Components	a	b
07CZA055	Right (07CZA042), Left (07CZA043)	8mm	30mm
07CZA061	Right (07CZA042), Left (07CZA049)	0.31"	1.2"

Surface Plate Type

Order No.	a	b
07CZA044	90mm (3.5")	28mm (1.1")

Centerline Type

Order No.	Components	a	b
07CZA057	07CZA039 x 2pcs.	30mm	30mm
07CZA060	07CZA047 x 2pcs.	1.2"	1.2"

