

ABSOLUTE Digimatic Depth Gauge

ABSOLUTE®

Series 571

This is a standard model depth gauge that lets you take accurate measurements. It offers you the following benefits:

- ABSOLUTE System gives you reliable measurements.
- Its base and measuring faces are hardened and micro-lapped for robustness.
- Large character height of 9mm makes measurements easy to read.
- Exceptional battery life.

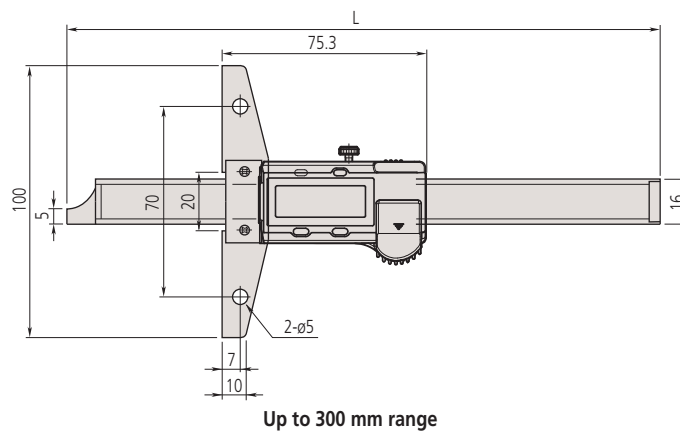


571-201-30

Metric

No.	Range [mm]	Accuracy	L [mm]	Base (W x T)	Mass [g]
571-201-30	0-150	±0,02 mm	239	100 x 6 mm	207
571-202-30	0-200	±0,02 mm	289	100 x 6 mm	227
571-203-20	0-300	±0,03 mm	403	100 x 6 mm	257
571-204-10	0-450	±0,05 mm	635	250 x 10 mm	1270
571-205-10	0-600	±0,05 mm	785	250 x 10 mm	1400
571-206-10	0-750	±0,06 mm	935	250 x 10 mm	1530
571-207-10	0-1000	±0,07 mm	1200	250 x 10 mm	1760

1



Functions	Series 571
ORIGIN (ABS-Zero)	●
ZERO/ABS	●
ON/OFF	●
Low voltage alarm	●
Data output	●

Specifications

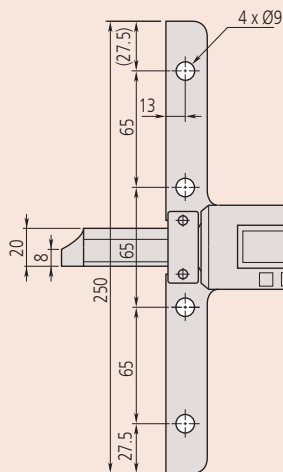
Accuracy	Refer to the list of specifications (excluding quantizing error)
Digital step	0,01 mm
Max. response speed	Unlimited
Repeatability	0,01 mm
Battery life	approx. 18000 hours (150/200 mm) approx. 20000 hours (>200 mm)
Display	LCD; character height 9 mm (150/200/300 mm), 10 mm (>300 mm)
Delivered	In a box including 1 battery

Optional accessories

No.	Description
959149	Digimatic Cable, Straight, Data Button, 1m
959150	Digimatic Cable, Straight, Data Button, 2m
02AZD790C	U-WAVE T Connection Cable C, Straight, with Data Button
06ADV380C	USB Input Tool Direct (Digimatic USB), Straight, with Data Button
959143	Data Hold Unit
900370	Extension Base, Depth Gauge, 180mm width for up to 300mm range
900371	Extension Base, Depth Gauge, 260mm width for up to 300mm range
900372	Extension Base, Depth Gauge, 320mm width for up to 300mm range

Consumable spares

No.	Description
938882	Battery SR44 1.5V



> 300 mm range

ABSOLUTE Digimatic Depth Gauge

Series 571

This depth gauge is IP67 coolant proof and offers you the following benefits:

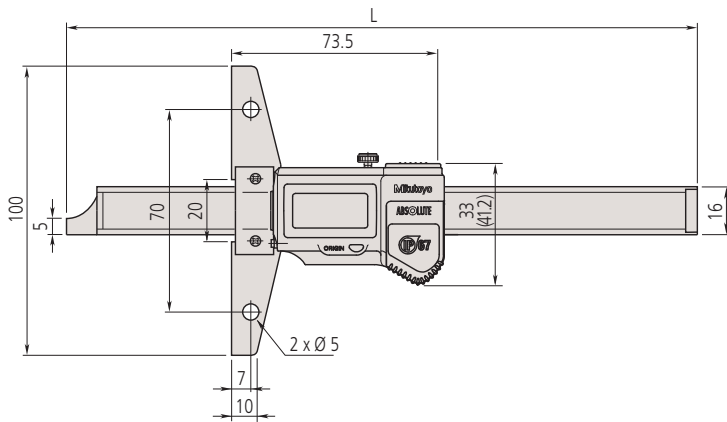
- ABSOLUTE System gives you reliable measurements.
- Its base and measuring faces are hardened and micro-lapped for robustness.
- It has excellent resistance against water and dust (IP67 protection level) enabling you to use it in machining situations that include splashing coolant fluid.
- Extremely resistant to both coolants and lubricants.



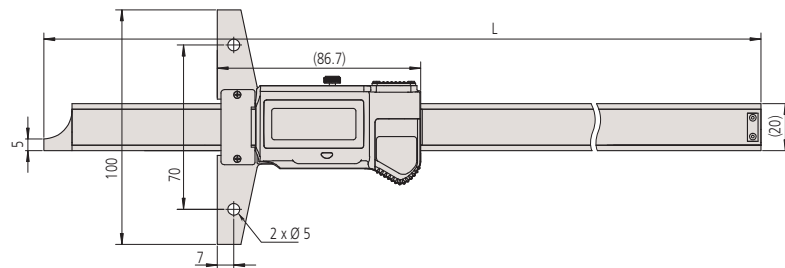
571-252-20

Metric

No.	Range [mm]	Accuracy	L [mm]	Base (W x T)	Mass [g]
571-251-20	0-150	±0,02 mm	237	100x 6 mm	199
571-252-20	0-200	±0,02 mm	287	100 x 6 mm	219
571-253-10	0-300	±0,03 mm	404	100 x 6,3 mm	357



Range: 0-150 mm, 0-200 mm



Range: 0-300 mm

Functions	Series 571
ORIGIN (ABS-Zero)	●
Auto Power OFF after 20 min. non use	●
Low voltage alarm	●
Data output	●

Specifications

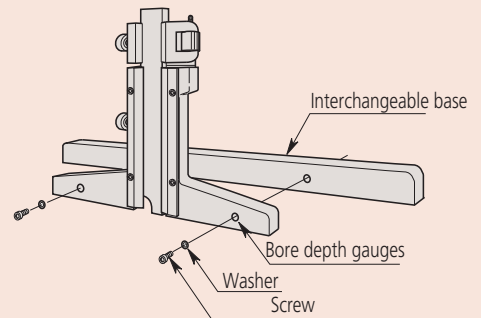
Accuracy	Refer to the list of specifications (excluding quantizing error)
Digital step	0,01 mm
Max. response speed	Unlimited
Repeatability	0,01 mm
Battery life	approx. 5 years (150, 200 mm) 5000 hours (300 mm)
Display	LCD, Character Height 9 mm (150, 200 mm) 10,2 mm (300 mm)
Delivered	In a box including 1 battery

Optional accessories

No.	Description
05CZA624	Digimatic Cable with Data Button IP Type, 1m, Caliper Type
05CZA625	Digimatic Cable with Data Button IP Type, 2m, Caliper Type
02AZD790A	U-WAVE T Connection Cable A, with Data Button IP Caliper Type
06ADV380A	USB Input Tool Direct (Digimatic USB), with Data Button IP Caliper Type
900370	Extension Base, Depth Gauge, 180mm width for up to 300mm range
900371	Extension Base, Depth Gauge, 260mm width for up to 300mm range
900372	Extension Base, Depth Gauge, 320mm width for up to 300mm range

Consumable spares

No.	Description
938882	Battery SR44 1.5V



Mounting the interchangeable base

ABSOLUTE Digimatic Depth Gauge IP67 Hook/Pin Type

Series 571

- Direct reading for either measuring surface is obtained by pressing the OFFSET function, which compensates for the 10 mm width of the hook.



Series 571			
	571-254-20	571-255-20	571-301-20
Functions			
ORIGIN (ABS-Zero)	●	●	●
OFFSET	●	●	●
Auto Power OFF after 20 min. non use	●	●	●
Low voltage alarm	●	●	●
Data output	●	●	●

Specifications

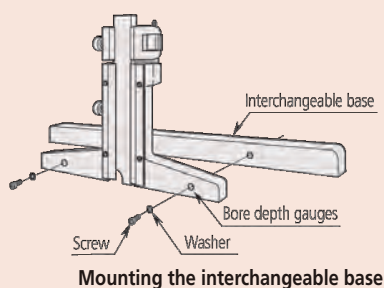
Accuracy	±0,03 mm (excluding quantizing error)
Digital step	0,01 mm
Max. response speed	Unlimited
Repeatability	0,01 mm
Battery life	approx. 5 years
Display	LCD, Character Height 9 mm
Delivered	In a case including 1 battery

Optional accessories

No.	Description
05CZA624	Digimatic Cable with Data Button IP Type, 1m, Caliper Type
05CZA625	Digimatic Cable with Data Button IP Type, 2m, Caliper Type
02AZD790A	U-WAVE T Connection Cable A, with Data Button IP Caliper Type
06ADV380A	USB Input Tool Direct (Digimatic USB), with Data Button IP Caliper Type
900370	Extension Base, Depth Gauge, 180mm width for up to 300mm range
900371	Extension Base, Depth Gauge, 260mm width for up to 300mm range
900372	Extension Base, Depth Gauge, 320mm width for up to 300mm range

Consumable spares

No.	Description
938882	Battery SR44 1.5V



571-255-20



571-302-20

Metric

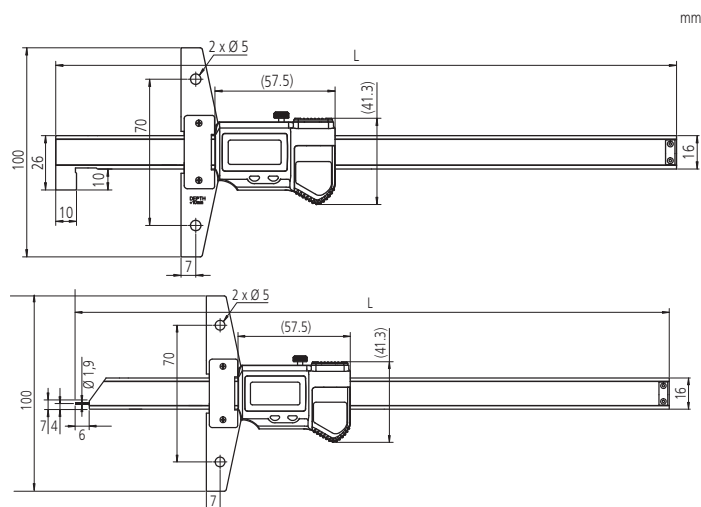
Hook Type

No.	Depth range	Hook range	Base (W x T)	L [mm]	Mass [g]
571-254-20	10,1-160 mm	0-150 mm	100 x 6 mm	247	216
571-255-20	10,1-210 mm	0-200 mm	100 x 6 mm	297	236

Metric

Pin Type

No.	Range [mm]	Base (W x T)	L [mm]	Mass [g]
571-301-20	0-150	100 x 6 mm	237	207
571-302-20	0-200	100 x 6 mm	287	227



Tyre Tread Depth Gauge

Series 571

This is designed to measure tyre tread depth and offers you the following benefits:

- The ABSOLUTE feature of this gauge keeps track of the origin point (once set) for the entire life of the battery.
- It gives you SPC data output.



Functions	Series 571
ORIGIN (ABS-Zero)	●
Auto Power OFF after 20 min. non use	●
Low voltage alarm	●
Data output	●

Specifications

Accuracy	Refer to the list of specifications (excluding quantizing error)
Digital step	0,01 mm
Max. response speed	unlimited
Repeatability	0,01 mm
Battery life	approx. 5 years
Display	LCD, Character height 9 mm
Delivered	Including 1 battery

Optional accessories

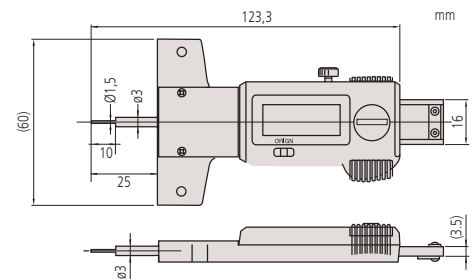
No.	Description
05CZA624	Digimatic Cable with Data Button IP Type, 1m, Caliper Type
05CZA625	Digimatic Cable with Data Button IP Type, 2m, Caliper Type
02AZD790A	U-WAVE T Connection Cable A, with Data Button IP Caliper Type
06ADV380A	USB Input Tool Direct (Digimatic USB), with Data Button IP Caliper Type

Consumable spares

No.	Description
938882	Battery SR44 1.5V



571-100-20



Metric

No.	Range [mm]	Accuracy	Mass [g]
571-100-20	0-25	±0,02 mm	160

Optional Accessories for Depth Gauge

Extension bases

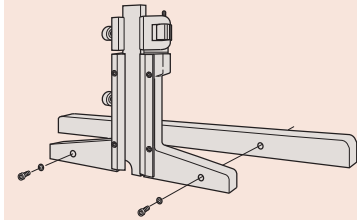
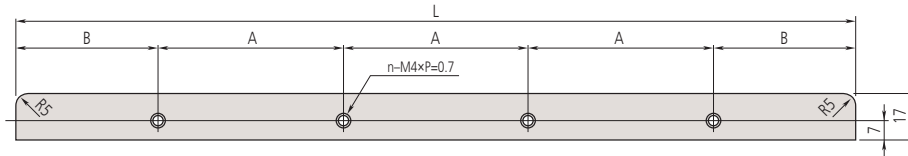
These optional extension bases can be fitted to depth gauge models up to 0-300mm range. They cannot be attached to 0-600mm or 0-1000mm range models.



900372

Metric

No.	L [mm]	A [mm]	B [mm]	Number of holes	Mass [g]
900370	180	70	55	2	200
900371	260	35	60	5	270
900372	320	70	55	4	345



Attaching the extension base