

SeeSnake[®] Standard

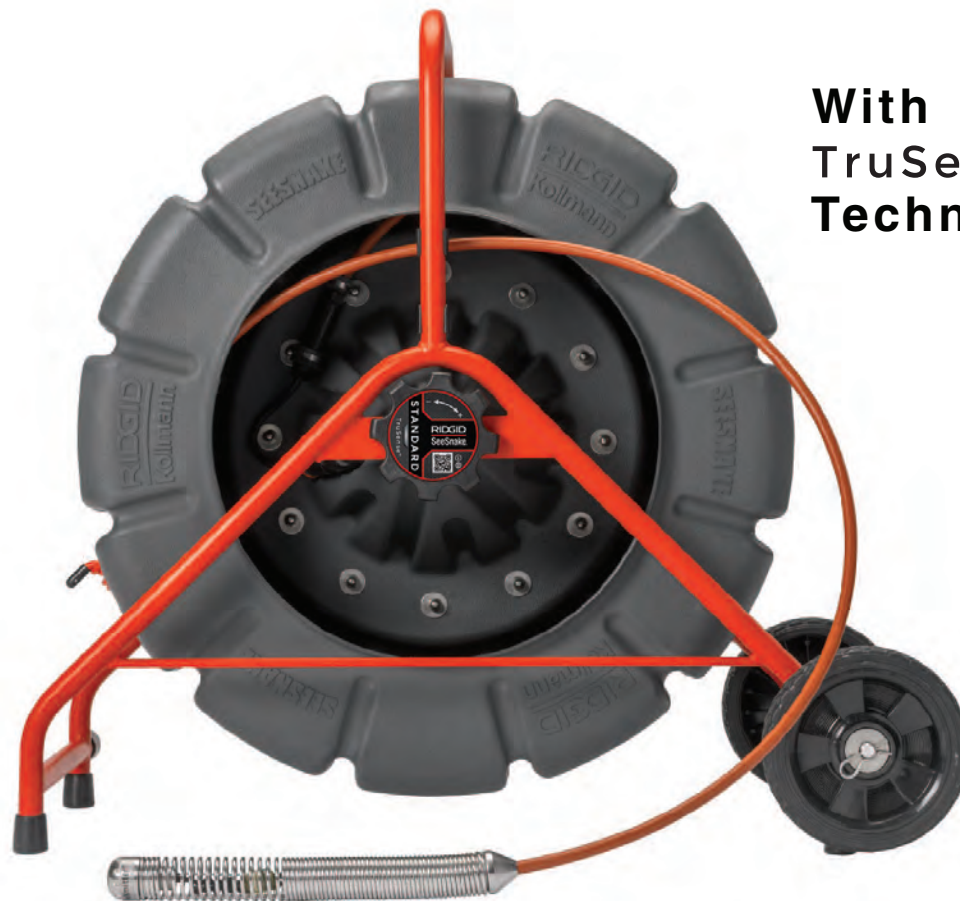
With TruSense[™] Technology



- Français – Chapitre 2
- Castellano – Capítulo 3

SeeSnake® STANDARD

With
TruSense™
Technology



! WARNING!

Read this Operator's Manual carefully before using this tool. Failure to understand and follow the contents of this manual may result in electrical shock, fire, and/or serious personal injury.

Table of Contents

Introduction

Regulatory Statements.....3
 Safety Symbols3

General Safety Rules

Work Area Safety4
 Electrical Safety4
 Personal Safety4
 Equipment Use and Care5
 Pre-Operation Inspection.....5

SeeSnake Standard Overview

Description6
 Specifications.....7
 Standard Equipment7
 System Components.....8

Specific Safety Information

SeeSnake Standard Safety.....8

Assembly

Installing the Wheels.....9

Operating Instructions

Placement9
 Inspection Overview10
 Pipe Guides10

Maintenance and Support

Cleaning.....10
 Maintaining Components.....10
 Storage10
 Support11
 Service and Repair11
 Disposal11

Introduction

The warnings, cautions, and instructions discussed in this manual cannot cover all possible conditions and situations that may occur. It must be understood by the operator that common sense and caution are factors that cannot be built into this product, but must be supplied by the operator.

Regulatory Statements

CE The EC Declaration of Conformity (890-011-320.10) will accompany this manual as a separate booklet when required.

FC This device complies with Part 15 of FCC rules. Operation is subject to the following two conditions: (1) This device may not cause harmful interference, and (2) this device must accept any interference received, including interference that may cause undesired operation.

Safety Symbols

In this manual and on the product, safety symbols and signal words are used to communicate important safety information. This section is provided to improve understanding of these signal words and symbols.



This is the safety alert symbol. It is used to alert you to potential personal injury hazards. Obey all safety messages that follow this symbol to avoid possible injury or death.

⚠ DANGER

DANGER indicates a hazardous situation which, if not avoided, will result in death or serious injury.

⚠ WARNING

WARNING indicates a hazardous situation which, if not avoided, could result in death or serious injury.

⚠ CAUTION

CAUTION indicates a hazardous situation which, if not avoided, could result in minor or moderate injury.

NOTICE

NOTICE indicates information that relates to the protection of property.



This symbol means read the operator's manual carefully before using the equipment. The manual contains important information on the safe and proper operation of the equipment.



This symbol means always wear safety glasses with side shields or goggles when handling or using this equipment to reduce the risk of eye injury.



This symbol indicates the risk of electrical shock.

General Safety Rules

⚠ WARNING



Read all safety warnings and instructions. Failure to follow the warnings and instructions may result in electrical shock, fire, and/or serious injury.

SAVE THESE INSTRUCTIONS!

Work Area Safety

- **Keep your work area clean and well lit.** Cluttered or dark areas invite accidents.
- **Do not operate equipment in explosive atmospheres, such as in the presence of flammable liquids, gases, or dust.** Equipment can create sparks which may ignite the dust or fumes.
- **Keep children and bystanders away while operating equipment.** Distractions can cause you to lose control.

Electrical Safety

- **Avoid body contact with earthed or grounded surfaces such as pipes, radiators, ranges, and refrigerators.** There is an increased risk of electrical shock if your body is earthed or grounded.
- **Do not expose equipment to rain or wet conditions.** Water entering equipment will increase the risk of electrical shock.
- **Keep all electrical connections dry and off the ground.** Touching equipment or plugs with wet hands can increase the risk of electrical shock.
- **Do not abuse the cord.** Never use the cord for carrying, pulling, or unplugging the power tool. Keep cord away from heat, oil, sharp edges, and moving parts. Damaged or entangled cords increase the risk of electrical shock.
- **If operating equipment in a damp location is unavoidable, use a ground fault circuit interrupter (GFCI) protected supply.** Use of a GFCI reduces the risk of electrical shock.

Personal Safety

- **Stay alert, watch what you are doing, and use common sense when operating equipment.** Do not use equipment while you are tired or under the influence of drugs, alcohol, or medication. A moment of inattention while operating equipment may result in serious injury.
- **Dress properly.** Do not wear loose clothing or jewelry. Loose clothes, jewelry, and long hair can be caught in moving parts.
- **Practice good hygiene.** Use hot, soapy water to wash hands and other body parts exposed to drain contents after handling or using drain inspection equipment. To prevent contamination from toxic or infectious material, do not eat or smoke while operating or handling drain inspection equipment.
- **Always use appropriate personal protective equipment when handling and using equipment in drains.** Drains may contain chemicals, bacteria, and other substances that may be toxic, infectious, and cause burns or other issues. Appropriate personal protective equipment always includes safety glasses and may include a dust mask, hard hat, hearing protection, drain cleaning gloves or mitts, latex or rubber gloves, face shields, goggles, protective clothing, respirators, and steel toed, non-skid footwear.
- **If using drain cleaning equipment and drain inspection equipment at the same time, wear RIDGID drain cleaning gloves.** Never grasp the rotating drain cleaning cable with anything else, including other gloves or a rag which can become wrapped around the cable and cause hand injuries. Only wear latex or rubber gloves underneath RIDGID drain cleaner gloves. Do not use damaged drain cleaning gloves.

Equipment Use and Care

- **Do not force equipment.** Use the correct equipment for your application. The correct equipment does the job better and more safely.
- **Do not use equipment if the power switch does not turn it on and off.** Any equipment that cannot be controlled with the power switch is dangerous and must be repaired.
- **Disconnect the plug from the power source and/or the battery pack from the equipment before making adjustments, changing accessories, or storing.** Preventive safety measures reduce the risk of injury.
- **Store idle equipment out of the reach of children and do not allow persons unfamiliar with the equipment or these instructions to operate the equipment.** Equipment can be dangerous in the hands of untrained users.
- **Maintain equipment.** Check for misalignment or binding of moving parts, missing parts, breakage of parts, and any other condition that may affect the equipment's operation. If damaged, have the equipment repaired before use. Many accidents are caused by poorly maintained equipment.
- **Do not overreach.** Keep proper footing and balance at all times. This enables better control of the equipment in unexpected situations.
- **Use the equipment and accessories in accordance with these instructions, taking into account the working conditions and the work to be performed.** Use of the equipment for operations different from those intended can result in hazardous situations.
- **Use only accessories that are recommended by the manufacturer for your equipment.** Accessories that may be suitable for one piece of equipment may become hazardous when used with other equipment.
- **Keep handles dry, clean, and free from oil and grease.** Clean handles give better control of the equipment.

Pre-Operation Inspection

⚠ WARNING



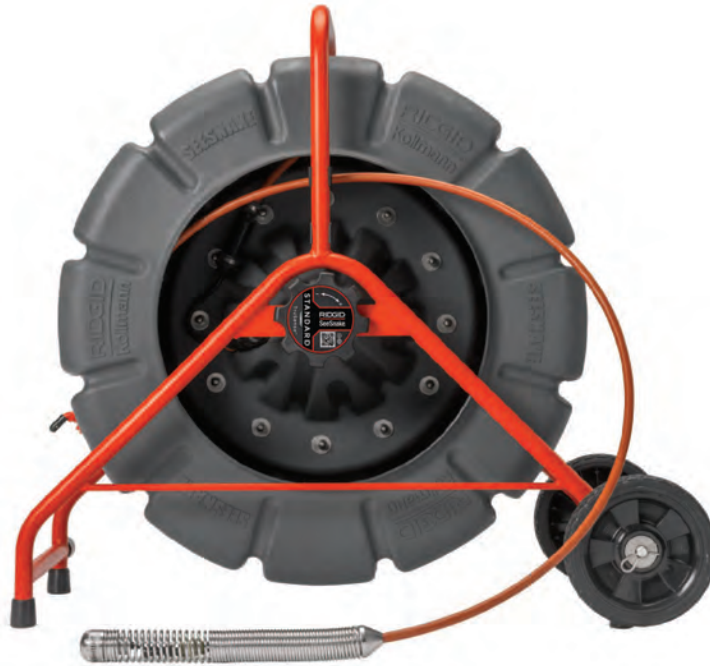
To reduce the risk of serious injury from electrical shock or other causes, and to prevent damage to your equipment, inspect all equipment and correct any problems before each use.

To inspect all equipment, follow these steps:

1. Power off your equipment.
2. Disconnect and inspect all cords, cables, and connectors for damage or modification.
3. Clean any dirt, oil, or other contamination from your equipment to ease inspection and to prevent it from slipping from your grip during transport or use.
4. Inspect your equipment for any broken, worn, missing, misaligned, or binding parts, or any other condition which might prevent safe, normal operation.
5. Refer to the instructions for all other equipment to inspect and make sure it is in good, usable condition.
6. Check your work area for the following:
 - Adequate lighting.
 - The presence of flammable liquids, vapors, or dust that may ignite. If present, do not work in area until sources have been identified and corrected. The equipment is not explosion proof. Electrical connections can cause sparks.
 - A clear, level, stable, and dry place for the operator. Do not use the equipment while standing in water.
7. Examine the job to be done and determine the correct equipment for the task.
8. Observe the work area and erect barriers as necessary to keep bystanders away.

See additional product specific safety information and warnings starting on page 8.

SeeSnake Standard Overview



Description

The RIDGID® SeeSnake® Standard with TruSense™ technology is a ruggedized camera reel in the SeeSnake family of premier diagnostic systems.

The Standard reel is ideal for inspecting 51 mm to 305 mm [2 in to 12 in] lines and comes with either a 61 m [200 ft] or a 99 m [325 ft] push cable. The push cable is reinforced with fiberglass and flexible enough to travel through sharp 90° bends, yet stiff enough to push the camera head long distances.

The FleXmitter® sonde helps locate points of interest in the pipe. FleXmitter sondes have long, powerful antennas capable of putting out a signal strong enough to pinpoint the camera's location underground, while still preserving its flexibility through turns.

The Standard works with any SeeSnake monitor to record and distribute inspections. Pair it with a SeeSnake CSx series Wi-Fi enabled monitor to deliver professional multimedia reports to your customers quickly and easily. Available SeeSnake CSx monitors include the CS6x, CS6xPak, CS65x, and CS12x monitors.

A self-leveling camera head option is available to keep the image upright.

TruSense™ Technology Description

TruSense technology establishes a two-way communication link between the camera head and a connected CSx series Wi-Fi enabled monitor. Advanced on-camera sensors convey valuable information about the in-pipe environment.

Included TruSense Sensors

TiltSense™

The TiltSense inclinometer measures the camera's degree of tilt and displays it on a CSx series Wi-Fi enabled monitor, giving you a useful indicator of the camera's angle as it lays inside the pipe.

HDR Image Sensor

The high dynamic range (HDR) image sensor expands the camera's dynamic range, allowing a greater ratio of bright and dark areas to be displayed in the same image at the same time without reducing visibility. The result is superior clarity and detail, allowing you to quickly and easily identify problem areas.

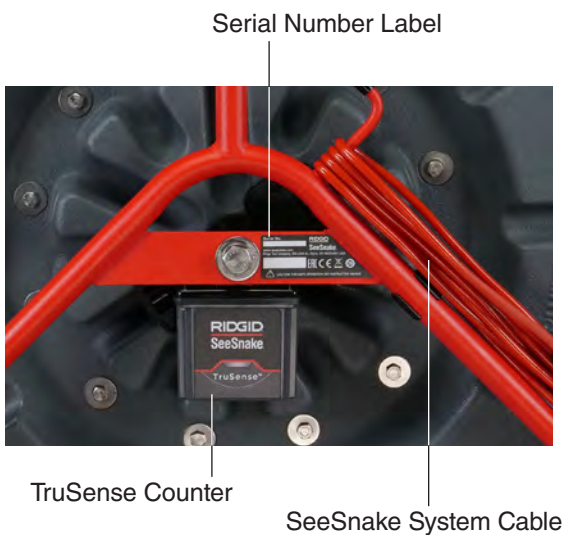
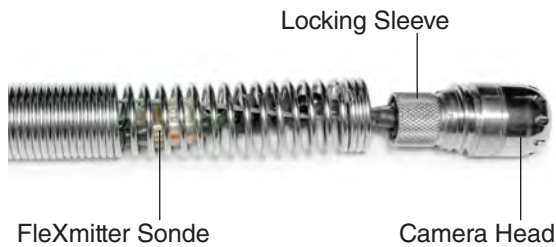
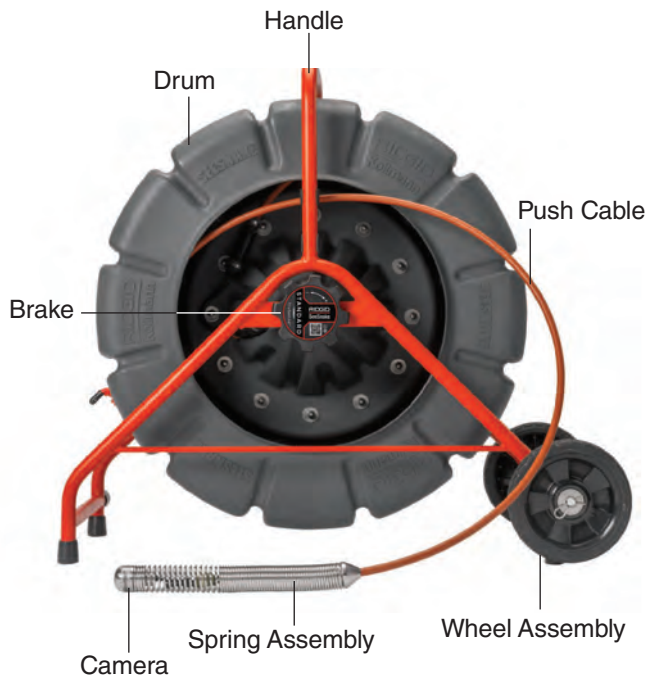
| Specifications | |
|---------------------------------------|-------------------------------------|
| Weight | |
| 61 m [200 ft] 99 m [325 ft] | 19 kg [42 lb] 24.5 kg [54 lb] |
| Dimensions | |
| Length | 830 mm [32.7 in] |
| Depth | 450 mm [17.7 in] |
| Height | 756 mm [29.8 in] |
| Drum diameter | 664 mm [26.1 in] |
| TruSense Camera, Fixed | |
| Length | 22 mm [0.8 in]* 33 mm [1.3 in]** |
| Diameter | 35 mm [1.4 in] |
| TruSense Camera, Self-Leveling | |
| Length | 26 mm [1 in]* 37 mm [1.5 in]** |
| Diameter | 35 mm [1.4 in] |
| Resolution | 640 × 480 pixels |
| Sonde | |
| Type | FleXmitter® |
| Frequency | 512 Hz |
| Distance Measurement | |
| Type | TruSense Counter |
| Data Communication | Two-Way |

| Specifications | |
|--|------------------------------------|
| Push Cable | |
| Length | 61 m [200 ft] 99 m [325 ft] |
| Diameter | 11.2 mm [0.44 in] |
| Fiberglass core diameter | 4.5 mm [0.18 in] |
| Minimum bend radius | 114 mm [4.5 in] |
| Pipe Capacity § | 51 mm to 305 mm [2 in to 12 in] |
| System Cable Length | 4 m [13 ft] |
| Operating Environment | |
| Temperature † | -10°C to 50°C [14°F to 122°F] |
| Storage temperature | -10°C to 70°C [14°F to 158°F] |
| Ingress protection (without monitor) | IP×5 |
| Relative humidity | 5 to 95 percent |
| Altitude | 4,000 m [13,123 ft] |
| Camera depth rating | Waterproof to 100 m [328.1 ft] |
| * Measured from lens to spring. | |
| ** Measured from lens to end of threads. | |
| § Actual pipe capacity depends on pipe conditions. | |
| ‡ While the camera can function in extreme temperatures, some image quality changes may occur. | |

Standard Equipment

- SeeSnake Standard camera reel
- Operator's manual
- Wheel assembly
- Pipe guide kit
- Spanner wrench

System Components



Specific Safety Information

⚠ WARNING



This section contains important safety information that is specific to the SeeSnake Standard. Read these precautions carefully before using the equipment to reduce the risk of electrical shock, fire, and/or serious injury.

SAVE ALL WARNINGS AND INSTRUCTIONS FOR FUTURE REFERENCE!

SeeSnake Standard Safety

- **Read and understand this manual, the digital reporting monitor's manual, and the instructions for any other equipment you are using before operating the equipment.** Failure to follow all instructions may result in property damage and/or serious injury. Keep this manual with the equipment for future use.
- **Operating the equipment while in water increases the risk of electrical shock.** Do not operate the system if operator or equipment are standing in water.
- **The equipment is not designed to provide high voltage protection and isolation.** Do not use where a danger of high voltage contact is present.
- **To prevent damage to the equipment and to decrease the risk of injury, do not expose the equipment to mechanical shocks.** Exposure to mechanical shocks can damage equipment and increase the risk of serious injury.
- **Follow instructions for wheel assembly installation.** Improper installation may result in property damage and/or serious injury.
- **Always use appropriate personal protective equipment when handling and using equipment in drains.** Wear appropriate protective equipment such as latex or rubber gloves, goggles, face shields, and respirators when inspecting drains that might contain hazardous chemicals or bacteria. Always wear eye protection to protect against dirt and other foreign objects.

Assembly

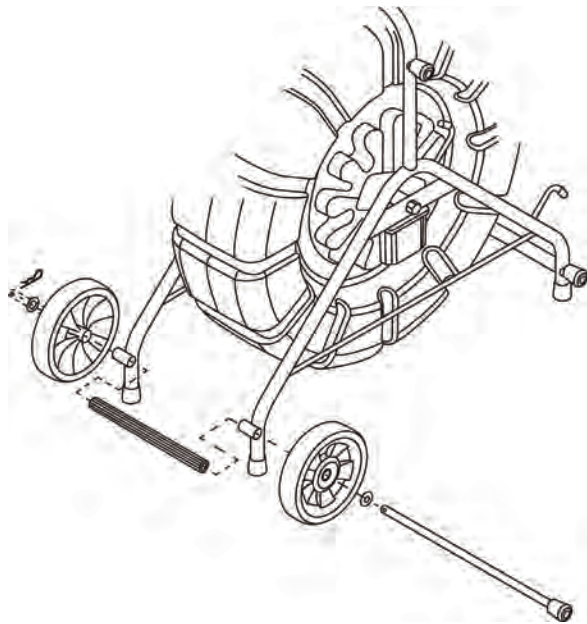
Installing the Wheels

⚠ WARNING

Installing the wheels incorrectly may result in property damage and/or serious injury.



1. Slide washer onto axle and seat against foot.
2. Slide wheel onto axle.
3. Place ribbed rigid tube between the two axle hubs. Frame may need to be flexed slightly.
4. Slide axle from outside right, through hub and rigid tube, and out the other hub.
5. Place second wheel on axle.
6. Place washer on axle and seat on wheel hub.
7. Secure with cotter pin at axle end.



Operating Instructions

Placement

Set up your SeeSnake system near the pipe entrance so you can manipulate the push cable while viewing the monitor. Make sure that the drum can spin freely. Placing the reel where the drum cannot spin freely may result in over-winding the cable, which may result in property damage and/or serious injury.



Lay the SeeSnake on its back for greater stability, particularly when on a rooftop, overhead entry, or hillside.



Inspection Overview

To perform a pipe inspection, connect any SeeSnake monitor to the reel, power on the system, push the push cable through the pipe, and observe the display.

For advanced inspection options, such as capturing media, locating the sonde, tracing the push cable, and delivering reports, refer to the manual that comes with your monitor.

Connecting to the Monitor

Connect the system cable to the monitor by aligning the connector guide pin with the socket and pushing the connector straight in.

NOTICE Only twist the outer locking sleeve. Never bend or twist the connector.



Retrieving the Camera

Pull the push cable back out of the pipe with slow, steady force and feed small lengths back into the drum. Wipe the push cable with a paper towel or rag as you retrieve it.

NOTICE Do not exert excessive force or pull at sharp angles. Feeding longer lengths or forcing the push cable may cause it to loop, kink, or break.

Pipe Guides

Pipe guides center the camera in the pipe, improve picture quality, and help keep the lens clear. Use pipe guides when possible to reduce wear and tear on the camera system.

Maintenance and Support

Cleaning

Clean your system with rags and a soft nylon brush. If desired, a mild detergent or disinfectant can be used. Do not use solvents or high pressure water to clean any part of the system.

Maintaining Components

Camera Head

Scratches on the camera have a minimal effect on its performance. Do not use scraping tools or sand the camera to remove scratches.

Push Cable

Run a rag over the push cable and visually inspect it for cuts and abrasions while pushing it back into the drum. Replace or repair the push cable if the outer jacket is cut or abraded.

Storage

The SeeSnake Standard must be stored in a dry, secure area between -10°C and 70°C [14°F and 158°F]. Store your equipment in a locked area out of the reach of children and people unfamiliar with its purpose.

Support

Service and Repair

Improper service or repair can cause the camera reel to be unsafe to operate.

Disposal

Parts of your system contain valuable materials that can be recycled. There are companies that specialize in recycling that may be found locally. Dispose of the components in compliance with all applicable regulations. Contact your local waste management authority for more information.



EC Countries: Do not dispose of electrical equipment with household waste!

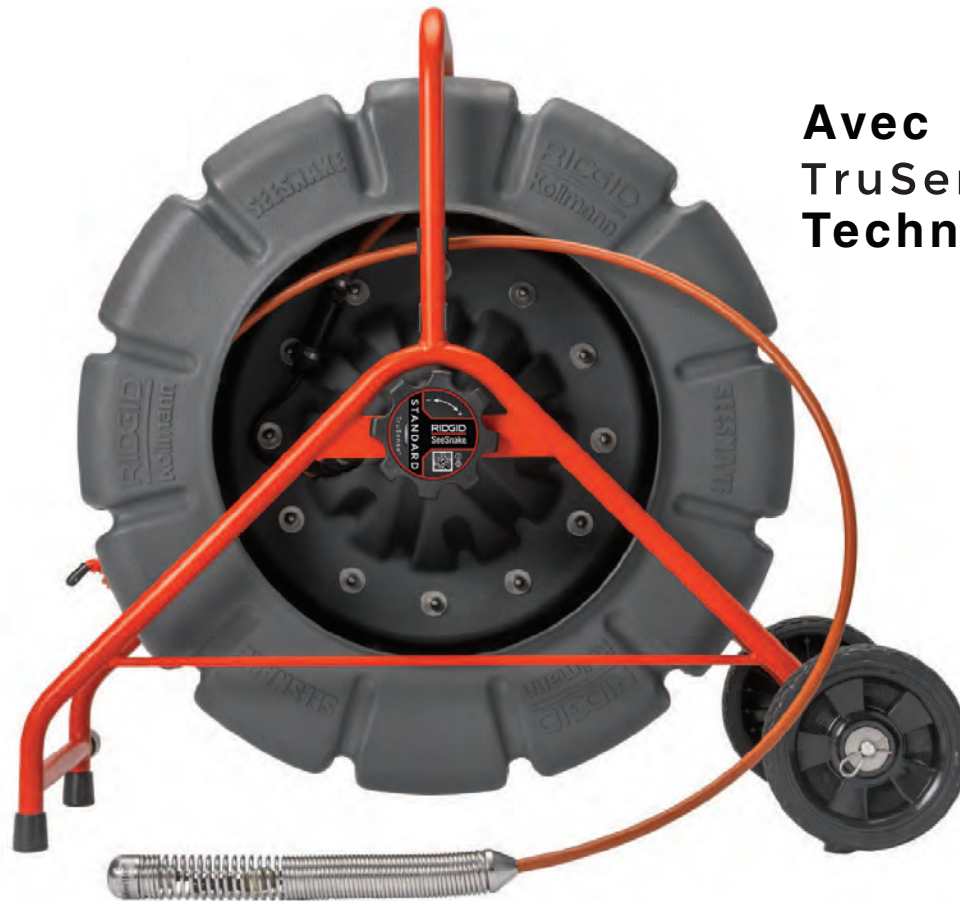
According to the European Guideline 2012/19/EU for Waste Electrical and Electronic Equipment and its implementation into national legislation, electrical equipment that is no longer usable must be collected separately and disposed of in an environmentally correct manner.

Battery Disposal

EC Countries: Defective or used batteries must be recycled according to the guideline 2006/66/EEC.

SeeSnake[®]

STANDARD



Avec
TruSense[™]
Technologie

**AVERTISSEMENT !**

Lire soigneusement ce Manuel de l'opérateur avant d'utiliser cet appareil. Un manque de compréhension et un manque de respect du contenu de ce manuel peuvent causer un choc électrique, un incendie et/ou des blessures graves.

Table des matières

Introduction

| | |
|-----------------------------|---|
| Énoncés réglementaires..... | 3 |
| Symboles de sécurité..... | 3 |

Règles générales de sécurité

| | |
|---|---|
| Sécurité de l'aire de travail..... | 4 |
| Sécurité électrique..... | 4 |
| Sécurité personnelle..... | 4 |
| Utilisation et entretien de l'équipement..... | 5 |
| Contrôle préalable..... | 5 |

Vue d'ensemble du SeeSnake Standard

| | |
|----------------------------------|---|
| Description..... | 6 |
| Caractéristiques techniques..... | 7 |
| Équipement standard..... | 7 |
| Pièces du système..... | 8 |

Informations de sécurité spécifiques

| | |
|---------------------------------|---|
| Sécurité SeeSnake Standard..... | 8 |
|---------------------------------|---|

Montage

| | |
|---------------------------------|---|
| Installation des roulettes..... | 9 |
|---------------------------------|---|

Consignes d'utilisation

| | |
|-------------------------------------|----|
| Positionnement..... | 9 |
| Vue d'ensemble de l'inspection..... | 10 |
| Guides de canalisation..... | 10 |

Maintenance et assistance

| | |
|------------------------------|----|
| Nettoyage..... | 10 |
| Maintenance des pièces..... | 10 |
| Rangement..... | 10 |
| Assistance..... | 10 |
| Entretien et réparation..... | 11 |
| Mise au rebut..... | 11 |

Introduction

Les avertissements, attentions et instructions décrites dans ce manuel ne peuvent pas couvrir toutes les conditions et situations possibles. Il doit être bien clair pour l'opérateur que bon sens et attention sont des facteurs qui ne peuvent être incorporés dans le produit et doivent être fournis par l'opérateur.

Énoncés réglementaires

CE Si besoin, la Déclaration de Conformité CE (89-011-320.10) sera fournie en pièce jointe de ce manuel sous la forme d'un livret séparé.

FCC Cet appareil est conforme à la partie 15 du règlement FCC. Son utilisation est soumise aux deux conditions suivantes : (1) cet appareil ne doit causer aucune interférence nuisible et (2) cet appareil doit accepter toute interférence reçue, y compris celles susceptibles de provoquer un fonctionnement non souhaité.

Symboles de sécurité

Dans ce manuel et sur ce produit, des symboles de sécurité et des notices d'avertissement sont utilisés pour communiquer des informations importantes concernant la sécurité. Cette section vous permettra de mieux comprendre ces notices et symboles.



Voici le symbole d'alerte de sécurité. Il est utilisé pour vous avertir des risques potentiels de blessures personnelles. Veuillez respecter tous les messages de sécurité qui suivent ce symbole afin d'éviter tout risque de blessure ou de décès.

⚠ DANGER

DANGER indique une situation dangereuse qui, si elle n'est pas évitée, provoquera des blessures ou un décès.

⚠ AVERTISSEMENT

AVERTISSEMENT indique une situation dangereuse qui, si elle n'est pas évitée, génère un risque de blessure grave ou de décès.

⚠ ATTENTION

ATTENTION indique une situation dangereuse qui, si elle n'est pas évitée, génère un risque de blessure légère.

AVIS

AVIS indique une information concernant la protection des biens.



Ce symbole indique la nécessité de lire le manuel de l'opérateur soigneusement avant d'utiliser cet équipement. Ce manuel contient des informations importantes concernant l'utilisation correcte et sûre de cet équipement.



Ce symbole indique qu'il faut toujours porter des lunettes de protection avec verres latéraux quand vous manipulez ou utilisez cet équipement pour réduire les risques de blessure aux yeux.



Ce symbole indique le risque de choc électrique

Règles générales de sécurité

⚠ AVERTISSEMENT



Lire tous les avertissements de sécurité et les instructions. Le non-respect des avertissements et des instructions peut causer un choc électrique, un incendie et/ou des blessures graves.

**CONSERVEZ CES INSTRUCTIONS
DANS UN ENDROIT SÛR !**

Sécurité de l'aire de travail

- **Gardez votre aire de travail propre et bien éclairée.** Les aires de travail en désordre ou sombre sont propices aux accidents.
- **Ne pas utiliser cet équipement dans une atmosphère explosive, en cas de présence de liquides inflammables, de gaz ou de poussière.** Cet équipement peut générer des étincelles susceptibles d'enflammer la poussière ou des vapeurs.
- **Veillez éloigner les enfants et les passants de l'équipement quand il est en service.** Les distractions peuvent vous faire perdre le contrôle.

Sécurité électrique

- **Éviter tout contact corporel avec les surfaces mises à la terre telles que tuyauterie, radiateurs, fours et réfrigérateurs.** Le risque de choc électrique est augmenté si votre corps est connecté à la terre ou à la masse.
- **Ne pas exposer l'équipement à la pluie ou à l'humidité.** En cas d'infiltration d'eau dans l'équipement, les risques de choc électrique seront augmentés.
- **Conserver tous les branchements électriques au sec et en hauteur.** Toucher l'équipement ou les prises avec les mains mouillées peut augmenter les risques de choc électrique.
- **Ne pas appliquer de contraintes excessives sur le câble.** Ne jamais utiliser le câble pour lever, tirer ou débrancher l'outil. Éloignez le câble de toute source de chaleur, d'huile, d'angles tranchants ou de tout pièce mobile. Des câbles endommagés ou emmêlés augmentent le risque de choc électrique.
- **Si l'équipement doit être utilisé dans un environnement humide, utiliser une alimentation protégée par un disjoncteur différentiel de fuite à la terre (DDFT).** L'utilisation d'un disjoncteur DDFT réduit le risque de choc électrique.

Sécurité personnelle

- **Soyez vigilant, prêtez attention à ce que vous faites et faites preuve de bon sens lorsque vous utilisez l'équipement.** Ne pas utiliser l'équipement lorsque vous vous sentez fatigué ou si vous êtes sous l'influence de drogues, d'alcool ou de médicaments. Pendant l'utilisation de l'équipement, un moment d'inattention peut causer des blessures sérieuses.
- **Habillez-vous de façon adaptée.** Ne pas porter de vêtements amples ou de bijoux. Des vêtements amples, des bijoux ou des cheveux longs peuvent être attrapés dans les pièces mobiles.
- **Conserver une bonne hygiène.** Utiliser de l'eau chaude et savonneuse pour laver les mains et les autres parties du corps exposées au contenu des canalisations après avoir manipulé ou utilisé l'équipement d'inspection de canalisations. Afin de prévenir toute contamination provenant de matériaux toxiques ou infectieux, ne pas manger ou fumer lors de l'utilisation ou lors de la manipulation de l'équipement d'inspection de canalisations.
- **Toujours porter un équipement de protection individuelle approprié lors de la manutention et de l'utilisation de l'équipement dans les canalisations.** Les canalisations peuvent contenir des produits chimiques, des bactéries et d'autres substances pouvant être toxiques, infectieuses, et peuvent provoquer des brûlures ou d'autres problèmes. Un équipement de protection individuelle doit toujours comprendre des lunettes de protection et peut inclure un masque anti-poussières, un casque, une protection auditive, des gants ou des mouffes de nettoyage, une visière, des vêtements de protection, des respirateurs et des bottes renforcées antidérapantes.
- **Si vous utilisez en même temps un équipement de nettoyage des canalisations et un équipement d'inspection des canalisations, veuillez porter des gants de nettoyage de canalisations RIDGID.** Ne jamais saisir le câble rotatif de nettoyage de canalisation avec autre chose que ces gants, que ce soit d'autres gants ou un chiffon qui pourraient s'enrouler autour du câble et causer des blessures aux mains. Porter des gants de caoutchouc ou de latex uniquement en-dessous de gants de nettoyage de canalisation RIDGID. Ne pas utiliser des gants de nettoyage de canalisation endommagés.

Utilisation et entretien de l'équipement

- **Ne pas forcer l'équipement.** Utiliser l'équipement approprié pour votre application. Un équipement adapté permet de faire du bon travail dans des conditions optimales de sécurité.
- **Ne pas utiliser l'équipement si l'interrupteur d'alimentation ne permet pas d'allumer et d'éteindre.** Tout équipement qui ne peut être contrôlé par l'interrupteur d'alimentation est dangereux et doit être réparé.
- **Débrancher la prise de l'alimentation et/ou de la batterie avant de procéder à tout réglage, de changer des accessoires ou d'entreposer l'équipement.** Les mesures de sécurité préventives permettent de réduire les risques de blessure.
- **Ranger les équipements non utilisés hors de portée des enfants et ne pas autoriser des personnes non habituées ou qui n'ont pas lu ces instructions à utiliser l'équipement.** Cet équipement peut être dangereux dans les mains d'utilisateurs non formés.
- **Entretien de l'équipement Faire un contrôle de mauvais alignement ou de fixation des parties mobiles, de rupture de pièces, et de toute autre condition pouvant affecter le fonctionnement de l'équipement.** En cas de dommages, faites réparer l'équipement avant de l'utiliser. De nombreux accidents sont provoqués par des équipements mal entretenus.
- **Ne pas viser trop loin.** Garder une position stable et équilibrée en tout temps. Cela permet un meilleur contrôle de l'équipement dans les situations inattendues.
- **Utiliser l'équipement et ses accessoires conformément à ces instructions en tenant compte des conditions de travail et de la tâche à réaliser.** L'utilisation de cet équipement pour des tâches non prévues peut causer des situations dangereuses.
- **N'utiliser que les accessoires recommandés par le fabricant de votre équipement.** Les accessoires adaptés à un équipement peuvent être dangereux s'ils sont utilisés sur un autre équipement.
- **Conserver les mains sèches, propres, sans huile ni graisses.** Des poignées propres permettent un meilleur contrôle de l'équipement.

Contrôle préalable

⚠ AVERTISSEMENT



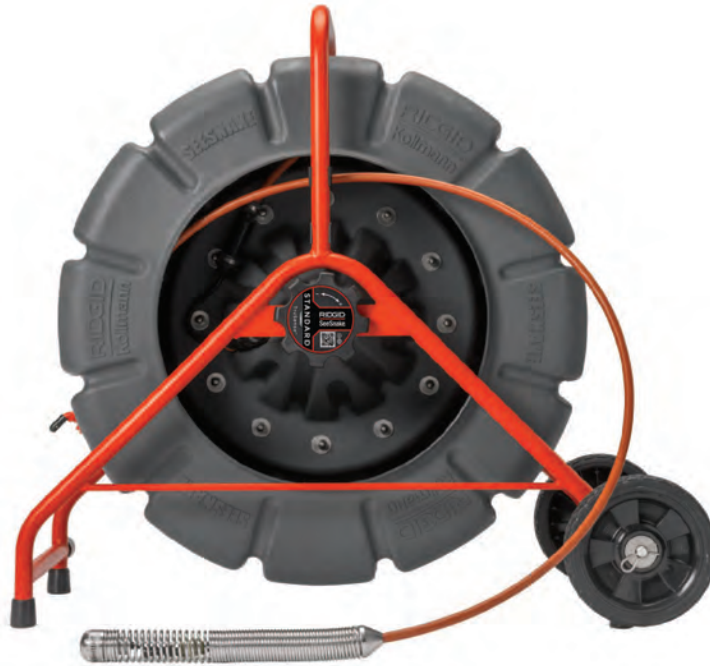
Inspectez votre équipement avant chaque utilisation et corrigez tout problème afin de réduire les risques de blessures graves causées par un choc électrique ou par toute autre cause et d'éviter d'endommager votre équipement.

Suivez les étapes ci-après pour l'inspection de tout équipement :

1. Coupez l'alimentation électrique de votre équipement.
2. Débranchez et inspectez tous les câbles et connecteurs pour détecter tout dommage ou modification.
3. Nettoyez toute poussière, huile ou autre salissure présente sur votre équipement pour faciliter l'inspection et éviter qu'il ne vous glisse des mains pendant le transport ou l'utilisation.
4. Inspectez votre équipement pour détecter toute pièce cassée, érodée, manquante, mal alignée ou bloquée ou toute autre condition qui pourrait empêcher un fonctionnement normal et sécurisé.
5. Se reporter aux instructions pour inspecter tout autre équipement et s'assurer qu'il se trouve en bonnes conditions d'utilisation.
6. Inspecter l'aire de travail pour vérifier les éléments suivants :
 - Un éclairage adapté.
 - La présence de liquides, de vapeurs ou de poussières inflammables. Le cas échéant, ne pas travailler dans cette zone tant que les sources n'ont pas été identifiées et corrigées. L'équipement n'est pas antidéflagrant. Les connexions électriques peuvent provoquer des étincelles.
 - Une zone dégagée, nivelée, stable et sèche pour l'opérateur. Ne pas utiliser cet équipement en ayant les pieds dans l'eau.
7. Examiner le travail qui doit être accompli, et déterminer l'équipement approprié pour cette tâche.
8. Évaluer l'aire de travail et installer des barrières si nécessaire pour tenir les passants à distance.

Se reporter aux informations et avertissements de sécurité supplémentaires spécifiques au produit à partir de la page 8.

Vue d'ensemble du SeeSnake Standard



Description

Le RIDGID® SeeSnake® Standard avec la technologie TruSense™ est un système consolidé à enrouleur et caméra de la gamme SeeSnake de systèmes de diagnostic premium.

Cet enrouleur Standard est parfait pour l'inspection des lignes allant de 51 à 305 mm [de 2 à 12 pouces] et est fourni avec un câble de poussée de 61 m [200 pieds] ou de 99 m [325 pieds]. Le câble de poussée est renforcé avec de la fibre de verre et est assez flexible pour prendre des courbes à 90° mais assez rigide pour faire avancer la caméra sur de longues distances.

La sonde FleXmitter® aide à localiser les points importants dans la canalisation. Les sondes FleXmitter disposent d'antennes longues et puissantes capables d'émettre un signal assez fort pour localiser l'emplacement de la caméra sous la terre, tout en gardant leur flexibilité dans les courbes.

Le Standard fonctionne avec n'importe quel moniteur SeeSnake pour enregistrer et diffuser les inspections. Couplez-le à un moniteur SeeSnake série CSx compatible Wi-Fi pour fournir des rapports multimédias professionnels à vos clients d'une manière rapide et efficace. Les moniteurs SeeSnake CSx disponibles incluent les moniteurs CS6x, CS6xPak, CS65x et CS12x.

Une tête de caméra avec mise à niveau automatique est disponible en option pour garder l'image droite.

Description de la Technologie TruSense™

La technologie TruSense établit une liaison de communication bidirectionnelle entre la tête de caméra et le moniteur Wi-Fi de la série CSx connecté. Capteurs perfectionnés installés sur la caméra servent à fournir des informations très importantes concernant l'intérieur des canalisations.

Capteurs TruSense inclus

TiltSense™

L'inclinomètre TiltSense mesure le degré d'inclinaison de la caméra et l'affiche sur un moniteur compatible Wi-Fi de la série CSx, vous donnant ainsi un indicateur fiable de l'angle de la caméra lorsqu'elle est placée dans la conduite.

Capteur photo HDR

Le capteur photo à plage dynamique élevée (HDR) élargit la plage dynamique de la caméra, ce qui permet d'afficher un plus grand ratio entre les zones lumineuses et sombres dans la même image et en même temps sans réduire la visibilité. Il en résulte une clarté et des détails supérieurs qui vous permettent d'identifier rapidement et facilement les endroits problématiques.

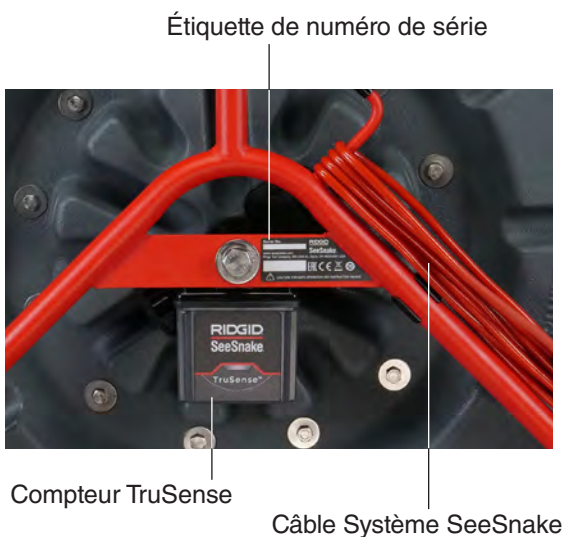
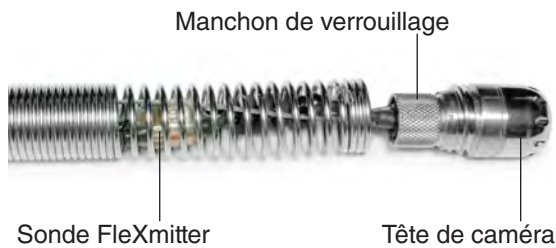
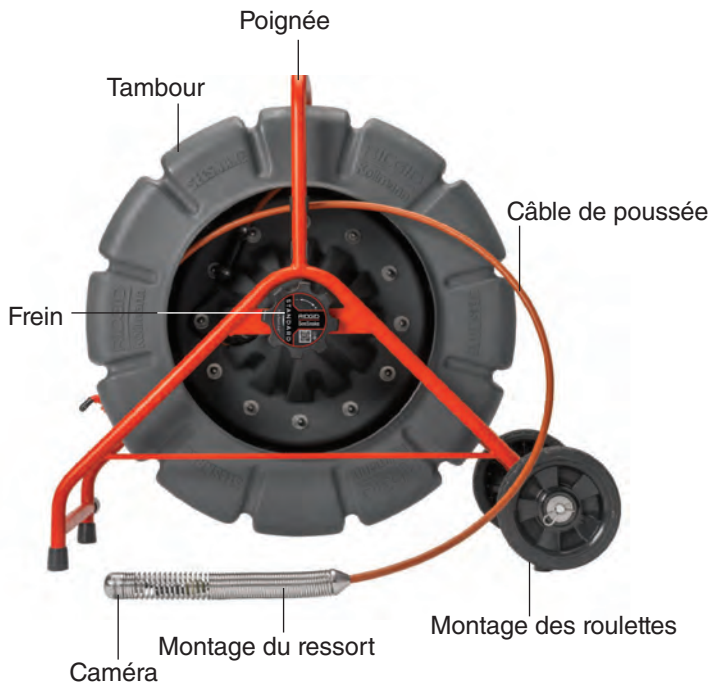
| Caractéristiques techniques | |
|--|---|
| Poids | |
| 61 m [200 pieds] 99 m [325 pieds] | 19 kg [42 livres] 24,5 kg [54 livres] |
| Dimensions | |
| Longueur | 830 mm [32,7 pouces] |
| Profondeur | 450 mm [17,7 pouces] |
| Hauteur | 756 mm [29,8 pouces] |
| Diamètre du tambour | 664 mm [26,1 pouces] |
| Caméra TruSense, Fixée | |
| Longueur | 22 mm [0,8 pouces]* 33 mm [1,3 pouces]** |
| Diamètre | 35 mm [1,4 pouces] |
| Caméra TruSense, avec mise à niveau automatique | |
| Longueur | 26 mm [1 pouce]* 37 mm [1,5 pouces]** |
| Diamètre | 35 mm [1,4 pouces] |
| Résolution | 640 × 480 pixels |
| Sonde | |
| Type | FleXmitter® |
| Fréquence | 512 Hz |
| Mesure de distance | |
| Type | Compteur TruSense |
| Communication des données | Bidirectionnelle |
| Câble de poussée | |
| Longueur | 61 m [200 pieds] 99 m [325 pieds] |
| Diamètre | 11,2 mm [0,44 pouces] |

| Caractéristiques techniques | |
|---|---|
| Diamètre du cœur de fibre de verre | 4,5 mm [0,18 pouces] |
| Rayon minimum de courbure | 114 mm [4,5 pouces] |
| Capacité de la canalisation[§] | 51 mm à 305 mm [2 in à 12 pouces] |
| Longueur du câble du système | 4 m [13 pieds] |
| Environnement de fonctionnement | |
| Température † | -10 à 50°C [14 à 122°F] |
| Température de stockage | -10 à 70°C [14 à 158 °F] |
| Protection de l'entrée (sans moniteur) | IPx5 |
| Humidité relative | 5 à 95 pour cent |
| Altitude | 4 000 m [13 123 ft] |
| Profondeur de champ de la caméra | Étanche jusqu'à 100 m (328,1 pieds) de profondeur |
| * Mesurée de la lentille au ressort. | |
| ** Mesurée de la lentille à la fin du filetage. | |
| § La capacité réelle de la canalisation dépend des conditions de la canalisation. | |
| † Même si la caméra peut fonctionner dans des températures extrêmes, la qualité de l'image peut varier. | |

Équipement standard

- Enrouleur à caméra SeeSnake Standard
- Manuel de l'opérateur
- Montage des roulettes
- Kit de guide de canalisation
- Clé à molette

Pièces du système



Informations de sécurité spécifiques

⚠ AVERTISSEMENT



Cette section contient d'importantes informations de sécurité spécifiques au Standard SeeSnake. Lisez attentivement ces informations de sécurité avant d'utiliser cet équipement pour réduire les risques de chocs électriques, d'incendie et/ou de blessures graves.

CONSERVER TOUS LES AVERTISSEMENTS ET INSTRUCTIONS POUR RÉFÉRENCE FUTURE !

Sécurité SeeSnake Standard

- **Préalablement à toute utilisation de cet équipement, il est indispensable de lire et de comprendre ce manuel, le manuel du moniteur numérique de reporting et les instructions de tout autre équipement que vous utiliserez.** Le non-respect de ces instructions peut causer des dommages matériels et/ou des blessures personnelles graves. Veuillez conserver le manuel avec l'équipement pour future référence.
- **Utiliser cet équipement dans l'eau accroît les risques de choc électrique.** Ne pas utiliser ce système si l'opérateur ou l'équipement se trouvent dans l'eau.
- **Cet équipement n'est pas conçu pour offrir une protection et une isolation contre les hautes tensions.** Ne pas utiliser en cas de risque de contact avec une haute tension.
- **Pour prévenir tout dommage à l'équipement et réduire les risques de blessures, ne pas faire subir de chocs mécaniques à l'équipement.** Tout choc mécanique peut endommager l'équipement et augmenter les risques de blessures graves.
- **Suivre les instructions pour l'installation des roulettes.** Une mauvaise installation peut entraîner des dommages matériels et/ou des blessures graves.
- **Toujours porter un équipement de protection individuelle approprié lors de la manutention et de l'utilisation de l'équipement dans les canalisations.** Porter un équipement de protection individuelle approprié, tels que des gants en latex ou en caoutchouc, des lunettes anti-éclaboussures, un écran facial et un appareil de protection respiratoire lors de l'inspection de canalisations pouvant contenir des produits chimiques dangereux ou des bactéries. Toujours porter des lunettes de protection contre la poussière et autre corps étrangers.

Montage

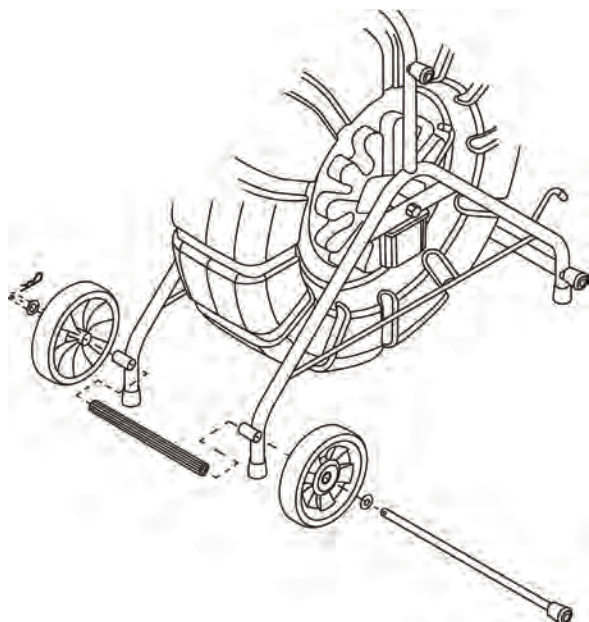
Installation des roulettes

⚠ AVERTISSEMENT

Une mauvaise installation des roulettes peut entraîner des dommages matériels et/ou des blessures graves.



1. Glissez la rondelle sur l'essieu et le siège contre le pied.
2. Glissez la roulette sur l'essieu.
3. Placez un tube rigide nervuré entre les deux moyeux d'essieu. Le cadre peut avoir besoin d'être légèrement replié.
4. Faites glisser l'essieu en partant de l'extérieur vers la droite, à travers le moyeu et le tube rigide, et à l'extérieur de l'autre moyeu.
5. Placez la deuxième roulette sur l'essieu.
6. Placez la rondelle sur l'essieu et l'assise sur le moyeu de roue.
7. Fixez avec la goupille à l'extrémité de l'essieu.



Consignes d'utilisation

Positionnement

Placez votre système SeeSnake près de l'entrée de la canalisation afin de pouvoir manipuler le câble de poussée tout en voyant le moniteur. Assurez-vous que le tambour peut tourner librement. Si l'enrouleur est placé à un endroit où le tambour ne peut pas tourner librement, cela peut provoquer un enroulement excessif du câble et des dommages et/ou des blessures graves.



Placez le SeeSnake sur sa surface postérieure pour une meilleure stabilité, en particulier sur les toits, les entrées en hauteur ou à flanc de coteau.



Vue d'ensemble de l'inspection

Pour réaliser une inspection de canalisation, connectez le moniteur SeeSnake, allumez le système, pousser le câble de poussée dans la canalisation et observez l'écran.

Pour les options avancées d'inspection, telles que la capture média, la localisation de la sonde, le suivi du câble de poussée et la génération de rapports, reportez-vous au manuel fourni avec votre moniteur.

Connexion au moniteur

Connectez le câble du système au moniteur en alignant le détrompeur du connecteur avec la fiche et en poussant le connecteur.

REMARQUE Ne tournez que le manchon de verrouillage externe. Ne pliez ou tordez jamais le connecteur.



Récupération de la caméra

Retirez le câble de la canalisation de façon lente et régulière puis enroulez petit à petit le câble dans le tambour. Essayez le câble de poussée avec une serviette en papier ou un chiffon à mesure que vous le retirez.

REMARQUE N'exercez pas de force excessive et ne tirez pas avec un angle serré. Si vous enroulez des longueurs trop grandes ou en forçant sur le câble de poussée, vous risquez de provoquer des boucles, des nœuds ou des dommages.

Guides de canalisation

Les guides de canalisation centrent la caméra dans la canalisation, ce qui améliore la qualité de l'image et aide à conserver la lentille propre. Utilisez les guides de canalisation quand cela est possible pour réduire l'usure et les contraintes sur le système de caméra.

Maintenance et assistance

Nettoyage

Nettoyez votre système avec des chiffons et une brosse douce en nylon. Si vous le souhaitez, vous pouvez utiliser un détergent ou un désinfectant doux. N'utilisez pas de solvant ou de nettoyeur à pression pour nettoyer le système.

Maintenance des pièces

Tête de caméra

Les rayures sur l'appareil ont un effet minimal sur ses performances. N'utilisez pas d'outil pour racler ou du papier de verre pour éliminer les égratignures.

Câble de poussée

Faites passer un chiffon sur le câble de poussée et inspectez-le visuellement pour repérer toute coupure ou éraflure en l'enroulant sur le tambour. Remplacez ou réparez le câble de poussée si la gaine extérieure est coupée ou érodée.

Rangement

Le SeeSnake Standard doit être entreposé dans un endroit sec et sûr ayant une température de -10°C à 70°C [14°F et 158°F]. Entreposez votre équipement dans une zone fermée hors de portée des enfants et des personnes non familiarisées avec son utilisation.

Assistance

Entretien et réparation

Tout entretien ou réparation incorrects peut rendre l'enrouleur à caméra dangereux à utiliser.

Mise au rebut

Certaines parties de votre système contiennent des matériaux de valeur qui peuvent être recyclés. Des sociétés spécialisées dans le recyclage peuvent se trouver au niveau local. La mise au rebut des composants doit être effectuée conformément aux réglementations applicables. Contacter les autorités de gestion des déchets pour plus d'informations.



Pays de la CE : ne jetez pas les équipements électriques avec les déchets ménagers !

Conformément à la Directive européenne 2012/19/UE relative aux déchets d'équipements électriques et électroniques et à son intégration dans la législation nationale, tout équipement électrique qui n'est plus utilisable doit être collecté séparément et éliminé d'une manière ne causant pas de dommages à l'environnement.

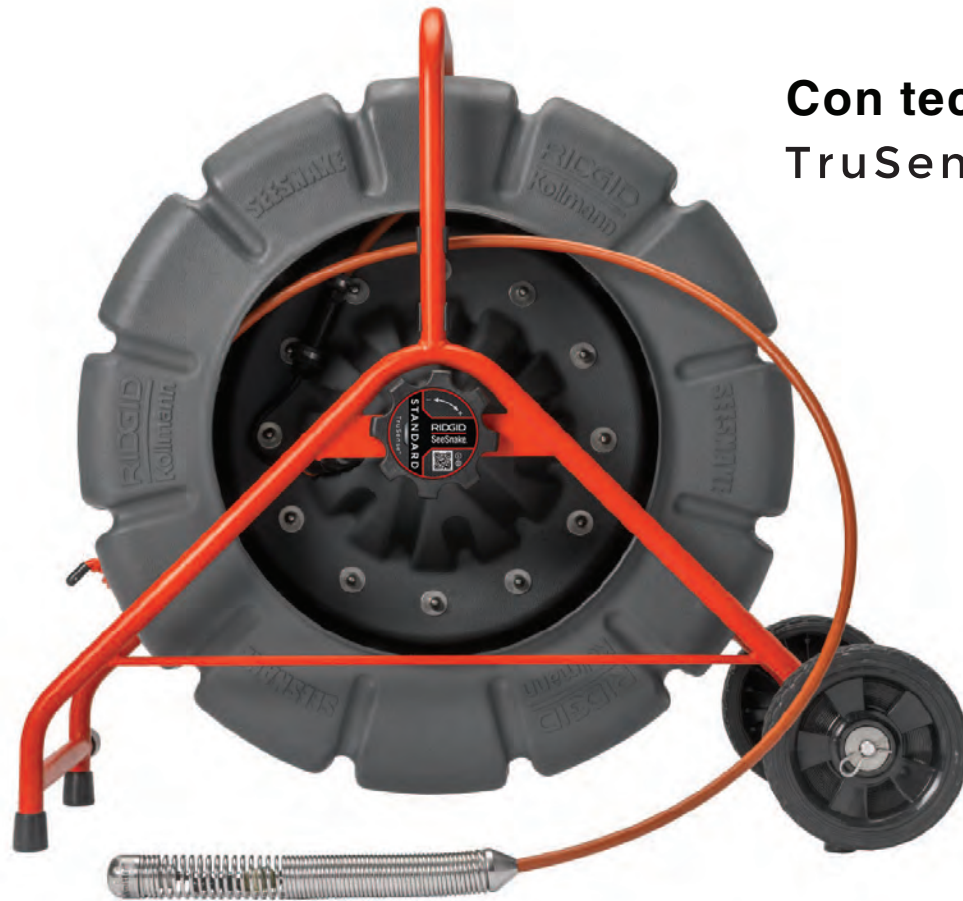
Mise au rebut des piles

Pays CE : les piles défectueuses ou usées doivent être recyclées conformément à la norme 2006/66/EEC.

SeeSnake[®]

STANDARD

Con tecnología
TruSense™



⚠ ¡ADVERTENCIA!

Lea detenidamente este Manual del Usuario antes de usar esta herramienta. El no entender ni cumplir con el contenido de este manual puede tener como consecuencia descargas eléctricas, incendios, y/o lesiones personales graves.

Índice

Introducción

| | |
|-----------------------------------|---|
| Declaraciones reglamentarias..... | 3 |
| Símbolos de seguridad | 3 |

Reglas generales de seguridad

| | |
|---------------------------------------|---|
| Seguridad en el área de trabajo | 4 |
| Seguridad eléctrica..... | 4 |
| Seguridad personal | 4 |
| Uso y cuidado del equipo | 5 |
| Inspección previa al uso..... | 5 |

Descripción general de SeeSnake Standard

| | |
|-------------------------------|---|
| Descripción..... | 6 |
| Especificaciones..... | 7 |
| Equipamiento estándar | 7 |
| Componentes del sistema | 8 |

Información específica de seguridad

| | |
|----------------------------------|---|
| Seguridad SeeSnake Standard..... | 8 |
|----------------------------------|---|

Montaje

| | |
|----------------------------|---|
| Montaje de las ruedas..... | 9 |
|----------------------------|---|

Instrucciones de funcionamiento

| | |
|--------------------------------------|----|
| Colocación..... | 9 |
| Visión general de la inspección..... | 10 |
| Guías de tubería | 10 |

Mantenimiento y asistencia

| | |
|-----------------------------------|----|
| Limpieza..... | 10 |
| Componentes de mantenimiento..... | 10 |
| Almacenamiento | 10 |
| Asistencia..... | 10 |
| Servicio y reparación | 11 |
| Desecho..... | 11 |

Introducción

Las advertencias, precauciones e instrucciones contenidas en este manual no pueden contemplar todas las condiciones y situaciones que pudiesen ocurrir. El operador debe comprender que el sentido común y la precaución son factores que no se pueden incorporar a este producto, sino que son su propia responsabilidad.

Declaraciones reglamentarias

CE La declaración de conformidad CE (890-011-320.10) acompañará a este manual como un folleto por separado cuando así se requiera.

FC Este equipo cumple con las reglas de la parte 15 de la FCC. El funcionamiento está sujeto a estas dos condiciones: (1) este equipo no puede causar interferencias perjudiciales y (2) este equipo debe aceptar toda interferencia recibida, incluidas las que pueden causar un funcionamiento no deseado.

Símbolos de seguridad

Los símbolos de seguridad y las palabras clave que aparecen en este manual y en el producto se usan para comunicar información importante sobre cuestiones de seguridad. Esta sección está diseñada para mejorar la comprensión de estos símbolos y palabras clave.



Este es el símbolo de alerta de seguridad: se utiliza para avisarle de posibles peligros de lesiones. Obedezca todos los mensajes de seguridad que acompañan a este símbolo para evitar la posibilidad de lesiones o muerte.

PELIGRO

PELIGRO indica una situación peligrosa que, si no se evita, ocasionará muertes o lesiones graves.

ADVERTENCIA

ADVERTENCIA indica una situación peligrosa que, si no se evita, puede ocasionar muertes o lesiones graves.

ATENCIÓN

ATENCIÓN indica una situación peligrosa que, si no se evita, puede ocasionar lesiones leves o moderadas.

AVISO

AVISO indica información relacionada con la protección de bienes materiales.



Este símbolo le indica que debe leer detenidamente el manual del operador antes de usar el equipo. El manual contiene información importante acerca del uso seguro y apropiado de la unidad.



Este símbolo significa que siempre hay que utilizar goggles o lentes de seguridad con protectores laterales al manipular o usar este equipo para reducir el riesgo de lesiones oculares.



Este símbolo indica el riesgo de descarga eléctrica

Reglas generales de seguridad

⚠️ ADVERTENCIA



Lea todas las advertencias e instrucciones de seguridad. No obedecerlas podría ocasionar descargas eléctricas, incendios o lesiones graves.

¡GUARDE ESTAS INSTRUCCIONES!

Seguridad en el área de trabajo

- **Mantenga su área de trabajo limpia y bien iluminada.** Las áreas desordenadas u oscuras aumentan el riesgo de accidentes.
- **No use el equipo en atmósferas explosivas, como en presencia de líquidos, gases o polvos inflamables.** El equipo puede producir chispas que podrían encender los gases o el polvo.
- **Mantenga alejados a niños y espectadores cuando use el equipo.** Las distracciones pueden causar la pérdida de control.

Seguridad eléctrica

- **Evite el contacto corporal con superficies conectadas a tierra, como tuberías, radiadores, estufas y refrigeradores.** Existe un mayor riesgo de descarga eléctrica si su cuerpo está conectado a tierra.
- **No exponga el equipo a la lluvia o a condiciones de humedad.** Existe un mayor riesgo de descarga eléctrica si ingresa agua al equipo.
- **Mantenga todas las conexiones eléctricas secas y alejadas del suelo.** Tocar el equipo o las conexiones con las manos mojadas puede aumentar el riesgo de descarga eléctrica.
- **No maltrate el cable de corriente.** Nunca use el cable para levantar, jalar o desenchufar el equipo. Manténgalo alejado del calor, aceite, bordes filosos y partes móviles. Los cables dañados o enredados aumentan el riesgo de descargas eléctricas.
- **Si no se puede evitar el uso del equipo en un lugar húmedo o mojado, utilice un suministro eléctrico protegido por un interruptor con detección de falla a tierra (GFCI).** El uso de este tipo de interruptores reduce el riesgo de descargas eléctricas.

Seguridad personal

- **Manténgase alerta, concéntrese en lo que está haciendo y utilice el sentido común cuando use el equipo.** No utilice el equipo cuando esté cansado o bajo la influencia de drogas, alcohol o medicamentos. Cualquier momento de distracción al usar el equipo puede causar lesiones graves.
- **Vístase adecuadamente.** No utilice ropa holgada ni joyería, pues las ropas holgadas, la joyería y el cabello largo pueden quedar atrapados en las partes móviles.
- **Siga buenas prácticas de higiene.** Después de manipular o usar equipos de inspección de drenajes, use agua caliente y jabón para lavarse las manos y otras partes del cuerpo expuestas al contenido del drenaje. Para evitar contaminación por materiales tóxicos o infecciosos, no coma ni fume cuando use o manipule equipos de inspección de drenajes.
- **Utilice siempre equipo de protección personal adecuado al manipular y usar el equipo en drenajes.** Los drenajes pueden contener químicos, bacterias y otras sustancias que podrían ser tóxicas, infecciosas o causar quemaduras u otros problemas. Un equipo de protección personal adecuado siempre incluye lentes de seguridad y podría incluir una máscara antipolvo, casco, protección auditiva, guantes o manoplas para limpieza de drenajes, guantes de goma o de látex, protectores faciales, goggles, ropa protectora, respiradores y calzado antideslizante con puntas de acero.
- **Si va a usar un equipo de limpieza de drenajes junto con un equipo de inspección de drenajes, utilice guantes para limpieza de drenajes de RIDGID.** Nunca tome el cable giratorio de limpieza de drenajes con otra cosa, incluyendo otros guantes o trapos, ya que pueden quedar atrapados alrededor del cable y causar lesiones en las manos. Utilice solamente guantes de látex o goma debajo de los guantes para limpieza de drenajes de RIDGID. No utilice guantes de limpieza de drenaje dañados.

Uso y cuidado del equipo

- **No fuerce el equipo.** Utilice el equipo apropiado para el trabajo en cuestión: el equipo correcto siempre lo hará mejor y de forma más segura.
- **No utilice el equipo si el interruptor no lo enciende ni lo apaga.** Todo equipo que no pueda ser controlado con el interruptor es peligroso y debe ser reparado.
- **Desconecte el cable de la fuente de electricidad y quite la batería del equipo antes de realizar cualquier ajuste, cambiar accesorios o guardarlo.** Las medidas de seguridad preventivas reducen el riesgo de lesiones.
- **Guarde el equipo que no esté siendo utilizado fuera del alcance de los niños y no permita que lo usen personas que no estén familiarizadas con el equipo o con estas instrucciones.** Este equipo puede ser peligroso en manos de personas no capacitadas.
- **Realice el mantenimiento del equipo.** Revise que no haya desalineaciones o bloqueos en las partes móviles, que no falten partes o estén rotas, y que no exista ninguna otra condición que pueda afectar el funcionamiento del equipo. Si el equipo está dañado, asegúrese de que sea reparado antes de usarlo. Muchos accidentes ocurren porque los equipos no reciben un mantenimiento adecuado.
- **No adopte posturas forzadas.** Mantenga el equilibrio y los pies firmes en todo momento, esto permite un mejor control del equipo en situaciones inesperadas.
- **Use el equipo y sus accesorios de acuerdo con estas instrucciones y tenga en cuenta las condiciones de trabajo y la tarea a realizar.** Usar el equipo para operaciones diferentes a las previstas puede generar situaciones peligrosas.
- **Utilice solamente accesorios recomendados por el fabricante para su equipo.** Los accesorios apropiados para un equipo pueden ser peligrosos si se utilizan en otros.
- **Mantenga las agarraderas secas, limpias y libres de aceites y grasa.** Esto ayuda a controlar mejor el equipo.

Inspección previa al uso

⚠ ADVERTENCIA



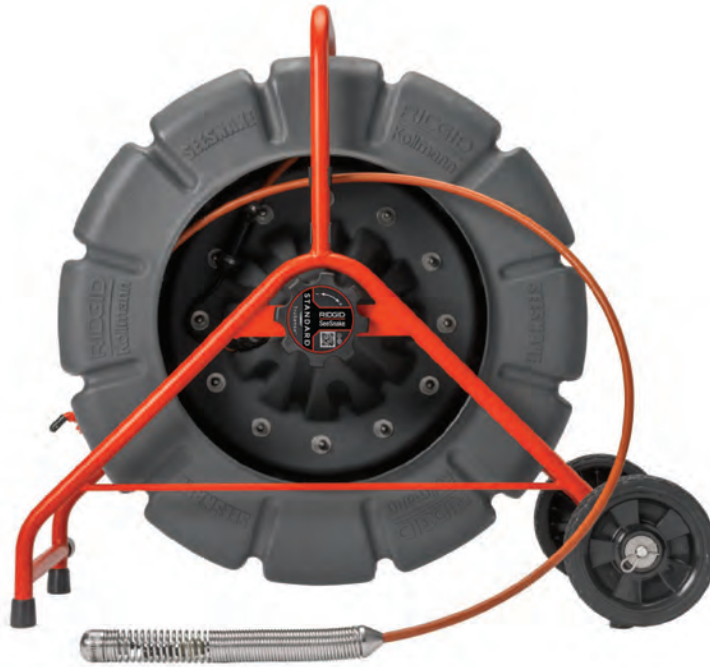
Para reducir el riesgo de lesiones graves debido a descargas eléctricas u otras causas, y para evitar daños al equipo, inspecciónelo por completo y corrija cualquier problema antes de cada uso.

Para hacer esta inspección, siga los estos pasos:

1. Apague el equipo.
2. Desconecte e inspeccione todos los cables y conexiones para comprobar que no exista ningún daño o modificación.
3. Limpie toda suciedad, aceite u otra contaminación de su equipo para facilitar la inspección y evitar que se le resbale de las manos mientras lo transporta o lo usa.
4. Examine la unidad en busca de partes rotas, desgastadas, faltantes, mal alineadas o bloqueadas, o cualquier otra condición que pueda afectar el uso seguro y normal del equipo.
5. Consulte las instrucciones del resto de los equipos para inspeccionarlos y asegurarse de que estén en buenas condiciones de uso.
6. Revise el área de trabajo en busca de lo siguiente:
 - Iluminación adecuada.
 - Líquidos, vapores o polvos inflamables que puedan encenderse. En caso de haberlos, no trabaje en el área hasta que su origen haya sido identificado y solucionado. El equipo no es a prueba de explosiones. Las conexiones eléctricas pueden ocasionar chispas.
 - Un lugar despejado, nivelado, estable y seco para el operador. No utilice el equipo si sus pies están sobre una superficie mojada.
7. Analice el trabajo a realizar y determine cuál es el equipo correcto para la tarea.
8. Observe el área de trabajo y coloque barreras si es necesario para mantener alejadas a las personas presentes.

A partir de la página 8 puede encontrar información y advertencias de seguridad específicas del producto.

Descripción general de SeeSnake Standard



Descripción

El RIDGID® SeeSnake® Standard con tecnología TruSense™ es un carrete de cámara reforzado de la familia de sistemas de diagnóstico de primer nivel SeeSnake.

El carrete Standard es ideal para inspeccionar líneas de 51 mm a 305 mm [2 pulg. a 12 pulg.] y viene con un cable de empuje de 61 m [200 pies] o de 99 m [325 pies]. El cable de empuje está reforzado con fibra de vidrio y es lo suficientemente flexible como para desplazarse a través de curvas pronunciadas de 90°, pero lo suficientemente rígido como para empujar el cabezal de la cámara a grandes distancias.

La sonda Flexmitter® ayuda a localizar puntos de interés en la tubería. Las sondas Flexmitter tienen antenas largas y potentes capaces de emitir una señal lo suficientemente fuerte como para identificar la ubicación de la cámara bajo tierra, al mismo tiempo que conserva su flexibilidad en los giros.

El Standard funciona con cualquier monitor SeeSnake para grabar y distribuir inspecciones. Combínelo con un monitor habilitado con Wi-Fi de la serie SeeSnake CSx para entregar informes multimedia profesionales a sus clientes de forma rápida y sencilla. Los monitores disponibles SeeSnake CSx son el CS6x, el CS6xPak, el CS65x y el CS12x.

Hay una opción de cabezal de cámara autonivelada disponible para mantener la imagen en posición vertical.

Descripción de la tecnología TruSense™

La tecnología TruSense establece un enlace de comunicación bidireccional entre el cabezal de la cámara y un monitor conectado con Wi-Fi de la serie CSx. Sensores avanzados en la cámara transmiten información valiosa sobre el entorno dentro de la tubería.

Sensores TruSense incluidos

TiltSense™

El inclinómetro TiltSense mide el grado de inclinación de la cámara y lo muestra en un monitor habilitado para Wi-Fi de la serie CSx, lo que le proporciona un indicador útil del ángulo de la cámara cuando se encuentra dentro de la tubería.

Sensor de imagen HDR

El sensor de imagen de alto rango dinámico (HDR) amplía el rango dinámico de la cámara, permitiendo que se muestre una mayor proporción de áreas brillantes y oscuras en la misma imagen al mismo tiempo sin reducir la visibilidad. El resultado es una claridad y detalles superiores, lo que le permite identificar rápida y fácilmente las áreas problemáticas.

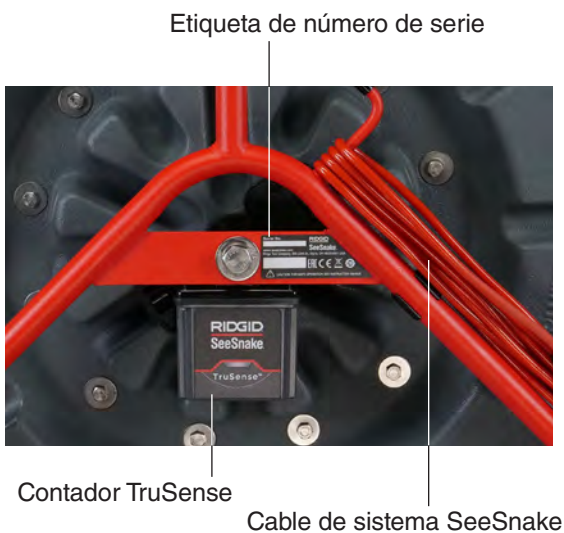
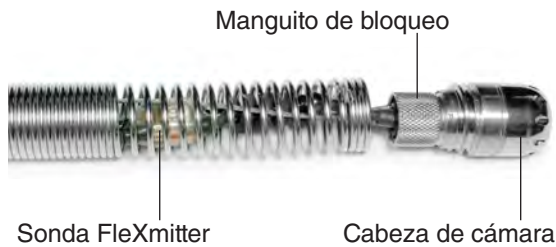
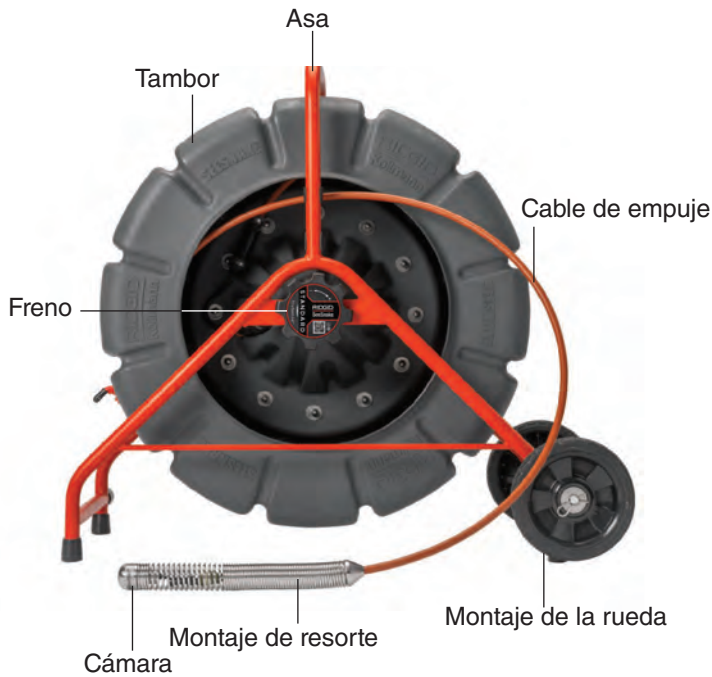
| Especificaciones | |
|--------------------------------------|---|
| Peso | |
| 61 m [200 pies] 99 m [325 pies] | 19 kg [42 lb] 24.5 kg [54 lb] |
| Dimensiones | |
| Largo | 830 mm [32.7 pulg.] |
| Ancho | 450 mm [17.7 pulg.] |
| Alto | 756 mm [29.8 pulg.] |
| Diámetro del tambor | 664 mm [26.1 pulg.] |
| Cámara TruSense, fija | |
| Largo | 22 mm [0.8 pulg.]* 33 mm [1.3 pulg.]** |
| Diámetro | 35 mm [1.4 pulg.] |
| Cámara TruSense, autonivelada | |
| Largo | 26 mm [1 pulg.]* 37 mm [1.5 pulg.]** |
| Diámetro | 35 mm [1.4 pulg.] |
| Resolución | 640 × 480 píxeles |
| Sonda | |
| Tipo | Flexmitter® |
| Frecuencia | 512 Hz |
| Medida de distancia | |
| Tipo | Contador TruSense |
| Comunicación de datos | Bidireccional |

| Especificaciones | |
|--|--|
| Cable de empuje | |
| Largo | 61 m [200 pies] 99 m [325 pies] |
| Diámetro | 11.2 mm [0.44 pulg.] |
| Diámetro del núcleo de fibra de vidrio | 4.5 mm [0.18 pulg.] |
| Radio de curvatura mínimo | 114 mm [4.5 pulg.] |
| Capacidad de tubería § | 51 mm a 305 mm [2 pulg. a 12 pulg.] |
| Longitud del cable del sistema | 4 m [13 pies] |
| Entorno operativo | |
| Temperatura ‡ | -10°C a 50°C [14°F a 122°F] |
| Temperatura de almacenamiento | -10°C a 70°C [14°F a 158°F] |
| Protección de acceso (sin monitor) | IP×5 |
| Humedad relativa | 5 a 95 por ciento |
| Altitud | 4000 m [13 123 pies] |
| Nivel de profundidad de la cámara | Impermeable hasta 100 m [328.1 pies] |
| * Medido desde la lente hasta el resorte. | |
| ** Medido desde la lente hasta el final de la rosca. | |
| § La capacidad real de la tubería depende de las condiciones de la tubería. | |
| ‡ Aunque la cámara puede funcionar en temperaturas extremas, pueden producirse algunos cambios en la calidad de la imagen. | |

Equipamiento estándar

- Carrete de cámara SeeSnake Standard
- Manual del operador
- Montaje de la rueda
- Kit de guía de tubería
- Llave inglesa

Componentes del sistema



Información específica de seguridad

⚠ ATENCIÓN



Esta sección contiene información de seguridad importante que es específica del SeeSnake Standard. Lea estas precauciones cuidadosamente antes de usar el equipo para reducir el riesgo de descarga eléctrica, incendio o lesiones graves.

¡GUARDE TODAS LAS ADVERTENCIAS E INSTRUCCIONES PARA UNA REFERENCIA FUTURA!

Seguridad SeeSnake Standard

- **Lea y comprenda este manual, el manual del monitor de informes digitales y las instrucciones de cualquier otro equipo que esté utilizando antes de operar el equipo.** No seguir todas las instrucciones podría provocar daños a la propiedad o lesiones graves. Guarde este manual con el equipo para su uso futuro.
- **Operar el equipo mientras está en el agua aumenta el riesgo de descarga eléctrica.** No opere el sistema si el operador o el equipo están parados en el agua.
- **El equipo no está diseñado para proporcionar protección y aislamiento de alto voltaje.** No lo use donde haya peligro de contacto con alto voltaje.
- **Para evitar daños en el equipo y reducir el riesgo de lesiones, no exponga el equipo a choques mecánicos.** La exposición a choques mecánicos puede dañar el equipo y aumentar el riesgo de lesiones graves.
- **Siga las instrucciones para el montaje de la rueda.** El montaje incorrecto puede provocar daños a la propiedad o lesiones graves.
- **Use siempre el equipo de protección personal apropiado cuando maneje y use el equipo en drenajes.** Use un equipo de protección adecuado, como guantes de látex o de goma, gafas protectoras, máscaras y respiradores cuando inspeccione drenajes que puedan contener sustancias químicas o bacterias peligrosas. Use siempre protección para los ojos para protegerse contra la suciedad y otros objetos extraños.

Montaje

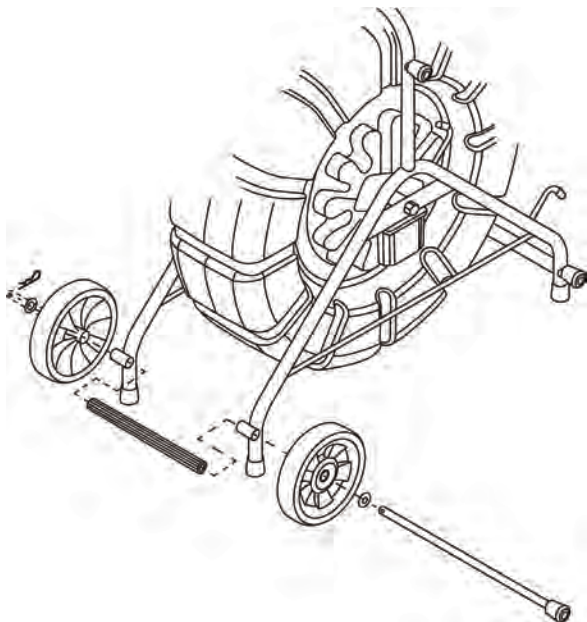
Montaje de las ruedas

⚠ ATENCIÓN

El montaje incorrecto de las ruedas puede provocar daños materiales o lesiones graves.



1. Deslice la arandela sobre el eje y asíntela contra el pie.
2. Deslice la rueda sobre el eje.
3. Coloque el tubo rígido acanalado entre los dos bujes de los ejes. Es posible que se deba flexionar ligeramente el cuadro.
4. Deslice el eje desde la parte derecha exterior, a través del buje y el tubo rígido, y fuera por el otro buje.
5. Coloque la segunda rueda en el eje.
6. Coloque la arandela en el eje y asíntela en el buje de la rueda.
7. Asegúrela con el pasador de chaveta en el extremo del eje.



Instrucciones de funcionamiento

Colocación

Configure su sistema SeeSnake cerca de la entrada de la tubería para que pueda manipular el cable de empuje mientras mira el monitor. Asegúrese de que el tambor pueda girar libremente. Si coloca el carrito en un lugar donde el tambor no pueda girar libremente, el cable podría enrollarse demasiado, lo que podría provocar daños a la propiedad o lesiones graves.



Coloque el SeeSnake boca arriba para una mayor estabilidad, especialmente cuando se encuentre en un tejado, entrada elevada o en una ladera.



Visión general de la inspección

Para realizar una inspección de tubería, conecte cualquier monitor SeeSnake al carrete, encienda el sistema, empuje el cable de empuje a través de la tubería y observe la pantalla.

Para obtener opciones de inspección avanzadas, como la captura de medios, la ubicación de la sonda, el rastreo del cable de empuje y la entrega de informes, consulte el manual que viene con su monitor.

Conexión al monitor

Conecte el cable del sistema al monitor alineando el perno guía del conector con la conexión y empujando el conector hacia adentro.

AVISO Gire solo el manguito de bloqueo exterior. Nunca doble o retuerza el conector.



Recoger la cámara

Tire del cable de empuje para sacarlo de la tubería con una fuerza lenta y constante, e introduzca las pequeñas longitudes de vuelta al tambor. Limpie el cable de empuje con una toalla de papel o un trapo mientras lo recoge.

AVISO No ejerza una fuerza excesiva ni tire en ángulos agudos. Introducir longitudes más largas o forzar el cable de empuje puede hacer que se retuerza, se doble o se rompa.

Guías de tubería

Las guías de tubería centran la cámara en la tubería, mejoran la calidad de la imagen y ayudan a mantener la lente despejada. Use guías de tubería cuando sea posible para reducir el desgaste en el sistema de la cámara.

Mantenimiento y asistencia

Limpieza

Limpie su sistema con trapos y un cepillo suave de nailon. Si lo desea, puede usar un detergente o desinfectante suave. No utilice disolventes ni agua a alta presión para limpiar ninguna parte del sistema.

Componentes de mantenimiento

Cabeza de cámara

Los arañazos en la cámara tienen un efecto mínimo en su rendimiento. No utilice herramientas de raspado ni lije la cámara para eliminar los arañazos.

Cable de empuje

Pase un trapo sobre el cable de empuje e inspeccione visualmente que no tenga cortes ni abrasiones mientras lo empuja nuevamente dentro del tambor. Reemplace o repare el cable de empuje si la cubierta exterior está cortada o desgastada.

Almacenamiento

El SeeSnake Standard debe almacenarse en un área seca y segura entre -10°C y 70°C [14°F y 158°F]. Guarde su equipo en un área cerrada fuera del alcance de los niños y personas que no estén familiarizadas con su propósito.

Asistencia

Servicio y reparación

Un servicio o reparación inadecuados pueden hacer que el carrete de la cámara no sea seguro para operar.

Desecho

Las partes de su sistema contienen materiales valiosos que se pueden reciclar. Hay empresas que se pueden encontrar a nivel local especializadas en el reciclaje. Deseche los componentes de acuerdo con todas las regulaciones aplicables. Póngase en contacto con su autoridad local de gestión de residuos para obtener más información.



Países de la CE: ¡No deseche el equipo eléctrico con la basura doméstica!

De acuerdo con la Directiva Europea 2012/19/UE sobre residuos de aparatos eléctricos y electrónicos, y su implementación en la legislación nacional, los equipos eléctricos que ya no se puedan usar deberán recolectarse por separado y desecharse de forma respetuosa con el medio ambiente.

Desecho de la batería

Países de la CE: las baterías defectuosas o usadas deben reciclarse de acuerdo con la directiva 2006/66/EEC.

What is covered

RIDGID® tools are warranted to be free of defects in workmanship and material.

How long coverage lasts

This warranty lasts for the lifetime of the RIDGID® tool. Warranty coverage ends when the product becomes unusable for reasons other than defects in workmanship or material.

How you can get service

To obtain the benefit of this warranty, deliver via prepaid transportation the complete product to RIDGE TOOL COMPANY, Elyria, Ohio, or any authorized RIDGID® INDEPENDENT SERVICE CENTER. Pipe wrenches and other hand tools should be returned to the place of purchase.

What we will do to correct problems

Warranted products will be repaired or replaced, at RIDGE TOOL'S option, and returned at no charge; or, if after three attempts to repair or replace during the warranty period the product is still defective, you can elect to receive a full refund of your purchase price.

What is not covered

Failures due to misuse, abuse or normal wear and tear are not covered by this warranty. RIDGE TOOL shall not be responsible for any incidental or consequential damages.

How local law relates to the warranty

Some states do not allow the exclusion or limitation of incidental or consequential damages, so the above limitation or exclusion may not apply to you. This warranty gives you specific rights, and you may also have other rights, which vary, from state to state, province to province, or country to country.

No other express warranty applies

This FULL LIFETIME WARRANTY is the sole and exclusive warranty for RIDGID® products. No employee, agent, dealer, or other person is authorized to alter this warranty or make any other warranty on behalf of the RIDGE TOOL COMPANY.



FULL LIFETIME WARRANTY (garantie légale étendue à la durée de vie du produit, voir conditions de garantie / legal warranty extended to the product lifecycle, see warranty conditions)

Ce qui est couvert

Les outils RIDGID® sont garantis contre tous vices de matériaux et de main d'oeuvre.

Durée de couverture

Cette garantie est applicable durant la vie entière de l'outil RIDGID®. La couverture cesse dès lors que le produit devient inutilisable pour raisons autres que des vices de matériaux ou de main d'oeuvre.

Pour invoquer la garantie

Pour toutes réparations au titre de la garantie, il convient d'expédier le produit complet en port payé à la RIDGE TOOL COMPANY, Elyria, Ohio, ou bien le remettre à un réparateur RIDGID® agréé. Les clés à pipe et autres outils à main doivent être ramenés au lieu d'achat.

Ce que nous ferons pour résoudre le problème

Les produits sous garantie seront à la discrétion de RIDGE TOOL, soit réparés ou remplacés, puis réexpédiés gratuitement ; ou si, après trois tentatives de réparation ou de remplacement durant la période de validité de la garantie le produit s'avère toujours défectueux, vous aurez l'option de demander le remboursement intégral de son prix d'achat.

Ce qui n'est pas couvert

Les défaillances dues au mauvais emploi, à l'abus ou à l'usure normale ne sont pas couvertes par cette garantie. RIDGE TOOL ne sera tenue responsable d'aucuns dommages directs ou indirects.

L'influence de la législation locale sur la garantie

Puisque certaines législations locales interdisent l'exclusion des dommages directs ou indirects, il se peut que la limitation ou exclusion ci-dessus ne vous soit pas applicable. Cette garantie vous donne des droits spécifiques qui peuvent être éventuellement complétés par d'autres droits prévus par votre législation locale.

Il n'existe aucune autre garantie expresse

Cette GARANTIE PERPETUELLE INTEGRALE est la seule et unique garantie couvrant les produits RIDGID®. Aucun employé, agent, distributeur ou tiers n'est autorisé à modifier cette garantie ou à offrir une garantie supplémentaire au nom de la RIDGE TOOL COMPANY.

Qué cubre

Las herramientas RIDGID® están garantizadas contra defectos de la mano de obra y de los materiales empleados en su fabricación.

Duración de la cobertura

Esta garantía cubre a la herramienta RIDGID® durante toda su vida útil. La cobertura de la garantía caduca cuando el producto se torna inservible por razones distintas a las de defectos en la mano de obra o en los materiales.

Cómo obtener servicio

Para obtener los beneficios de esta garantía, envíe mediante porte pagado, la totalidad del producto a RIDGE TOOL COMPANY, en Elyria, Ohio, o a cualquier Servicentro Independiente RIDGID®. Las llaves para tubos y demás herramientas de mano deben devolverse a la tienda donde se adquirieron.

Lo que hacemos para corregir el problema

El producto bajo garantía será reparado o reemplazado por otro, a discreción de RIDGE TOOL, y devuelto sin costo; o, si aún resulta defectuoso después de haber sido reparado o sustituido tres veces durante el período de su garantía, Ud. puede optar por recibir un reembolso por el valor total de su compra.

Lo que no está cubierto

Esta garantía no cubre fallas debido al mal uso, abuso o desgaste normal. RIDGE TOOL no se hace responsable de daño incidental o consiguiente alguno.

Relación entre la garantía y las leyes locales

Algunos estados de los EE.UU. no permiten la exclusión o restricción referente a daños incidentales o consiguientes. Por lo tanto, puede que la limitación o restricción mencionada anteriormente no rija para Ud. Esta garantía le otorga derechos específicos, y puede que, además, Ud tenga otros derechos, los cuales varían de estado a estado, provincia a provincia o país a país.

No rige ninguna otra garantía expresa

Esta GARANTIA VITALICIA es la única y exclusiva garantía para los productos RIDGID®. Ningún empleado, agente, distribuidor u otra persona está autorizado para modificar esta garantía u ofrecer cualquier otra garantía en nombre de RIDGE TOOL COMPANY.

©2019, RIDGID, Inc.

SS# 744-003-0017-00-0A

Printed 2/19
EC44051

The Emerson logo and RIDGID logo are registered trademarks of Emerson Electric Co. or RIDGID, Inc. in the U.S. and other countries.
All other trademarks belong to their respective holders.

999-998-436.10
REV. A

RIDGID

EMERSON

Find Quality Products Online at:

www.GlobalTestSupply.com

sales@GlobalTestSupply.com