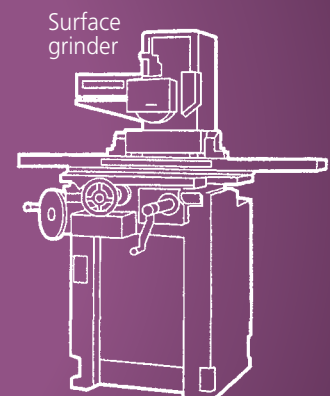
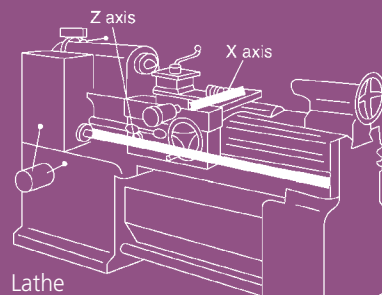
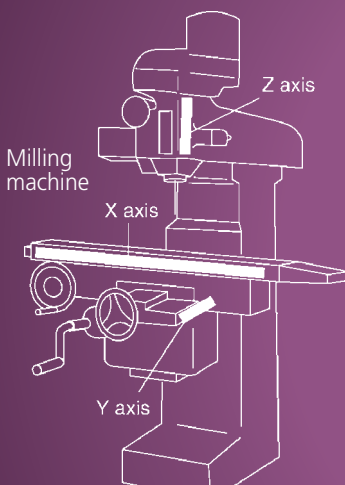


## Digital Readout Packages with KA-200 COUNTER

Manual machine retrofit packages with linear scales, mounting brackets, and multiple feature, intuitive display



DIGITAL SCALE AND DRO SYSTEMS



## Digital Readout Packages with KA-200 COUNTER

### Features

- > Absolute and Incremental modes (10 presets each)
- > Calculation functions
- > Non-linear and linear error compensation
- > Adjustable high-brightness, high-refresh rate LED displays
- > Scale test feature
- > Outputs data into spreadsheets (optional USB card)
- > Selectable resolution down to .0001" or better
- > IP67 rating (AT715 scales only)



### Package Contents

- > KA-200 Counter (2 or 3 axis)
- > Mounting Brackets
- > Counter Tray
- > Linear Scales with cables

| Package Part No. | Description                 | X Travel | Y Travel | Z Travel | X Axis Type | Y Axis Type | Z Axis Type |
|------------------|-----------------------------|----------|----------|----------|-------------|-------------|-------------|
| 64PKA058A        | 12" X 30" DRO Mill Package  | 30"      | 12"      |          | AT715       | AT715       |             |
| 64PKA059A        | 12" X 36" DRO Mill Package  | 36"      | 12"      |          | AT715       | AT715       |             |
| 64PKA060A        | 14" X 30" DRO Mill Package  | 30"      | 14"      |          | AT715       | AT715       |             |
| 64PKA061A        | 14" X 40" DRO Mill Package  | 40"      | 14"      |          | AT715       | AT715       |             |
| 64PKA062A        | 16" X 36" DRO Mill Package  | 36"      | 16"      |          | AT715       | AT715       |             |
| 64PKA063A        | 16" X 40" DRO Mill Package  | 40"      | 16"      |          | AT715       | AT715       |             |
| 64PKA064A        | 18" X 40" DRO Mill Package  | 40"      | 18"      |          | AT715       | AT715       |             |
| 64PKA065A        | 12" x 30" x 6" Mill Package | 12"      | 30"      | 6"       | AT715       | AT715       | AT715       |
| 64PKA066A        | 12" x 36" x 6" Mill Package | 12"      | 36"      | 6"       | AT715       | AT715       | AT715       |
| 64PKA067A        | 16" x 36" x 6" Mill Package | 16"      | 36"      | 6"       | AT715       | AT715       | AT715       |
| 64PKA035A        | 6" X 28" Lathe Package      | 6"       |          | 28"      | AT116       |             | AT715       |
| 64PKA036A        | 6" X 30" Lathe Package      | 6"       |          | 30"      | AT116       |             | AT715       |
| 64PKA037A        | 6" X 36" Lathe Package      | 6"       |          | 36"      | AT116       |             | AT715       |
| 64PKA038A        | 6" X 40" Lathe Package      | 6"       |          | 40"      | AT116       |             | AT715       |
| 64PKA039A        | 8" X 40" Lathe Package      | 8"       |          | 40"      | AT116       |             | AT715       |
| 64PKA040A        | 8" X 44" Lathe Package      | 8"       |          | 44"      | AT116       |             | AT715       |
| 64PKA041A        | 8" X 48" Lathe Package      | 8"       |          | 48"      | AT116       |             | AT715       |
| 64PKA042A        | 10" X 40" Lathe Package     | 10"      |          | 40"      | AT116       |             | AT715       |
| 64PKA043A        | 10" X 44" Lathe Package     | 10"      |          | 44"      | AT116       |             | AT715       |
| 64PKA044A        | 10" X 48" Lathe Package     | 10"      |          | 48"      | AT116       |             | AT715       |
| 64PKA045A        | 10" X 60" Lathe Package*    | 10"      |          | 60"      | AT116       |             | AT715       |
| 64PKA046A        | 12" X 40" Lathe Package     | 12"      |          | 40"      | AT116       |             | AT715       |
| 64PKA047A        | 12" X 44" Lathe Package     | 12"      |          | 44"      | AT116       |             | AT715       |
| 64PKA048A        | 12" X 48" Lathe Package     | 12"      |          | 48"      | AT116       |             | AT715       |
| 64PKA049A        | 12" X 52" Lathe Package     | 12"      |          | 52"      | AT116       |             | AT715       |
| 64PKA050A        | 12" X 60" Lathe Package*    | 12"      |          | 60"      | AT116       |             | AT715       |
| 64PKA051A        | 12" X 72" Lathe Package*    | 12"      |          | 72"      | AT116       |             | AT715       |
| 64PKA052A        | 14" X 40" Lathe Package     | 14"      |          | 40"      | AT116       |             | AT715       |
| 64PKA053A        | 14" X 44" Lathe Package     | 14"      |          | 44"      | AT116       |             | AT715       |
| 64PKA054A        | 14" X 48" Lathe Package     | 14"      |          | 48"      | AT116       |             | AT715       |
| 64PKA055A        | 14" X 52" Lathe Package     | 14"      |          | 52"      | AT116       |             | AT715       |
| 64PKA056A        | 14" X 60" Lathe Package*    | 14"      |          | 60"      | AT116       |             | AT715       |
| 64PKA057A        | 16" X 60" Lathe Package*    | 16"      |          | 60"      | AT116       |             | AT715       |
| 64PKA026A        | 6" X 12" Grinder Package    | 6"       |          | 12"      | AT116       |             | AT116       |
| 64PKA027A        | 6" X 14" Grinder Package    | 6"       |          | 14"      | AT116       |             | AT116       |
| 64PKA028A        | 8" X 12" Grinder Package    | 8"       |          | 12"      | AT116       |             | AT116       |
| 64PKA029A        | 8" X 14" Grinder Package    | 8"       |          | 14"      | AT116       |             | AT116       |
| 64PKA030A        | 8" X 16" Grinder Package    | 8"       |          | 16"      | AT116       |             | AT116       |
| 64PKA031A        | 10" X 18" Grinder Package   | 10"      |          | 18"      | AT116       |             | AT116       |
| 64PKA032A        | 10" X 24" Grinder Package   | 10"      |          | 24"      | AT116       |             | AT116       |
| 64PKA033A        | 12" X 18" Grinder Package   | 12"      |          | 18"      | AT116       |             | AT116       |
| 64PKA034A        | 12" X 20" Grinder Package   | 12"      |          | 20"      | AT116       |             | AT116       |

\* 2m extension cable included with 60" and 72" packages.



Coordinate Measuring Machines

Vision Measuring Systems

Form Measurement

Optical Measuring

Sensor Systems

Test Equipment and Seismometers

Digital Scale and DRO Systems

Small Tool Instruments and Data Management

**Note:** All information regarding our products, and in particular the illustrations, drawings, dimensional and performance data contained in this printed matter as well as other technical data are to be regarded as approximate average values. We therefore reserve the right to make changes to the corresponding designs. The stated standards, similar technical regulations, descriptions and illustrations of the products were valid at the time of printing. In addition, the latest applicable version of our General Trading Conditions will apply. Only quotations submitted by ourselves may be regarded as definitive. Specifications are subject to change without notice.

Mitutoyo products are subject to US Export Administration Regulations (EAR). Re-export or relocation of our products may require prior approval by an appropriate governing authority.

#### Trademarks and Registrations

Designations used by companies to distinguish their products are often claimed as trademarks. In all instances where Mitutoyo America Corporation is aware of a claim, the product names appear in initial capital or all capital letters. The appropriate companies should be contacted for more complete trademark and registration information.

© 2015 Mitutoyo America Corporation

Find Quality Products Online at:

[www.GlobalTestSupply.com](http://www.GlobalTestSupply.com)

[sales@GlobalTestSupply.com](mailto:sales@GlobalTestSupply.com)