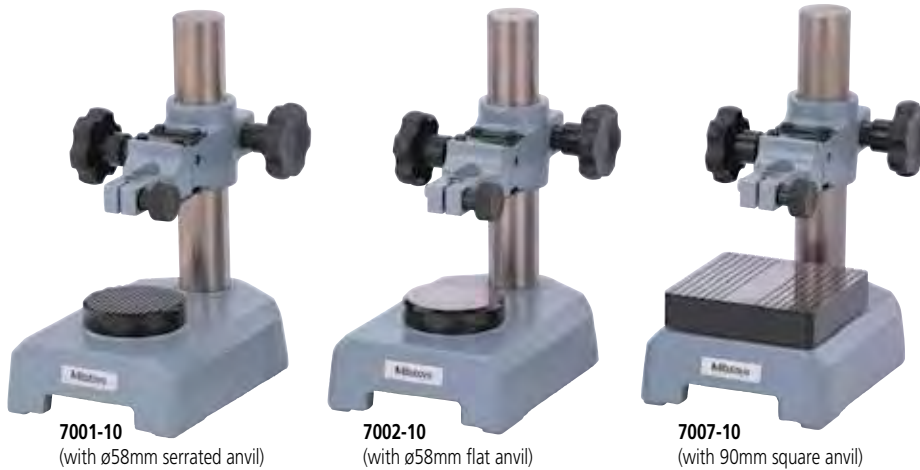


Dial Gage Stands

SERIES 7

FEATURES

- Dial Gage Stands are designed for comparison measurements of size using a dial indicator or Digimatic Indicator.
- Anvil of 7001-10 and 7002-10: $\phi 58\text{mm}$
- Anvil of 7007-10: 90mm square
- Vertical fine adjustment is available with one-touch control thanks to the parallel spring suspension.

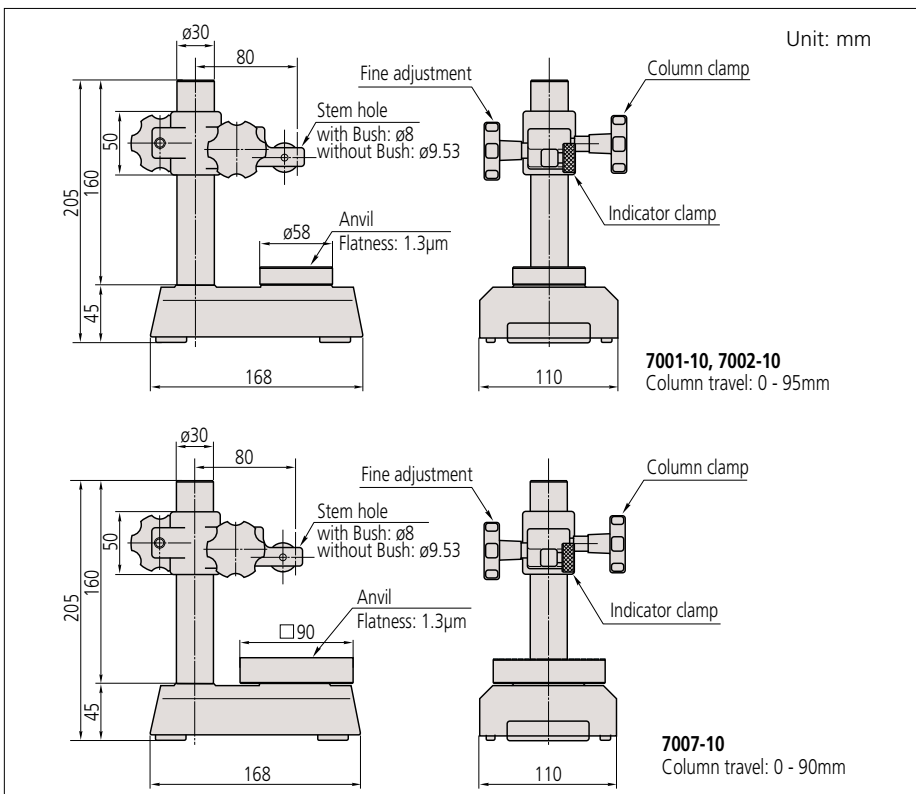


SPECIFICATIONS

Metric

Order No.	Stem hole	Remarks	Mass(g)
7001-10	$\phi 8\text{mm}$, $\phi 9.53\text{mm}$	With serrated anvil (101462)	4
7002-10	$\phi 8\text{mm}$, $\phi 9.53\text{mm}$	With flat anvil (101461)	4
7007-10	$\phi 8\text{mm}$, $\phi 9.53\text{mm}$	With square anvil	5

DIMENSIONS



Optional Accessories

- 101461: Hardened-steel flat anvil
 - 101462: Hardened-steel serrated anvil
 - 101463: Hardened-steel domed anvil*
- *Not available for 7007-10.

