

CONSTRUCTION AND OPERATION

BI-Lok Series D Dual Ferrule Tube Fittings are composed of four precision machined component parts: 1) fitting body, 2) front ferrule, 3) back ferrule, 4) nut. BI-Lok Tube Fittings are shipped fully assembled and individually bagged. Once the tubing has been fully inserted into the fitting, a leak tight seal is achieved through the simple action of tightening the nut against the fitting body. The tightening of the nut provides the axial thrust required to engage the captively held ferrules against the outside diameter of the tubing. The staged swaging action of the ferrules, with minimal torque transfer to the tubing during make-up, provides the key to BI-Lok's high integrity sealing capability and exceptional service life.

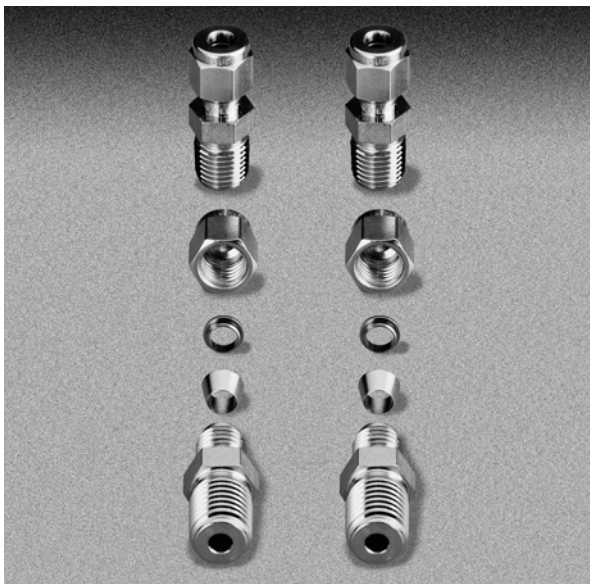
MATERIALS OF CONSTRUCTION

Component		Fitting Material	
		Brass	316 Stainless Steel
Fitting Body	Forged	ASTM B124, CDA 377	ASTM A182
	Bar Stock	ASTM B16, CDA 360	ASTM A479
Front Ferrule Back Ferrule Nut			

Stainless Steel Fitting Bodies and Nuts are Heat /Lot code traceable. Stainless steel nuts are silver plated to prevent gauling and reduce make-up torque.

QUALITY CONTROL

BI-Lok Tube Fittings are designed, manufactured and inspected to the rigid quality requirements of our ISO certified production facility. All Stainless Steel Fittings are Heat/Lot code traceable. BI-Lok Tube Fittings have been tested and certified to a variety of Global International Industry standards and regulatory agencies.



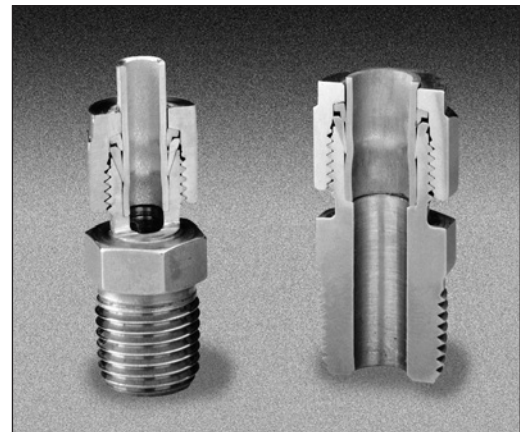
*Swagelok® is a registered trade mark of the Swagelok Company

INTERCHANGEABILITY AND GAGEABILITY

BI-Lok Series D Dual Ferrule Tube Fittings are manufactured to be completely component intermixable with the Swagelok® brand of tube fittings. Independent third party testing concluded that piece by piece intermixing of each manufacturer's component parts, in various combinations, yielded no performance degradation of the fitting connection. BI-Lok Dual Ferrule Tube Fittings are fully compatible for use with the Swagelok® brand Gap Inspection Gauges.

TUBING SELECTION AND PREPARATION

The selection of the proper tubing is essential to both the performance and safety of a tubing system. Careful consideration should be applied to the following variables; system pressure, media, flow, operating temperature and environmental conditions. Tube fittings should always be used with similar tube materials. i.e.; Stainless Steel fittings with Stainless Steel tubing and Brass fittings with copper tubing. In order to achieve proper fitting make-up, the tubing must be softer than the fitting material. For stainless steel tubing, we recommend fully annealed seamless or welded and drawn tubing of ASTM A269, A213 and A249. Tubing hardness should not exceed Rockwell B-90. For copper tubing, seamless or soft annealed ASTM B-75, or seamless soft annealed Type K or Type L water tubing ASTM B-88 is recommended. Care should be taken in tube handling to ensure that tubing is reasonably straight and is cut in a manner to create smooth square ends, free of burrs. Handling practices should consider that surface scratches on the tube OD may be a potential source of leaks.



PRESSURE RATINGS

The BI-Lok Dual Series D Ferrule Tube Fitting consists of four elements – nut, front ferrule, back ferrule and fitting body. However, the actual sealing function is accomplished with the addition of a fifth element, the tubing itself. Therefore, the pressure rating of the fitting assembly is a direct function of the tubing selected. Proper tube selection is critical and the ultimate responsibility of the system designer/user. The tables listed on page 2 provide the allowable pressure ratings of a variety of commonly used tube sizes and materials.

STAINLESS STEEL TUBING												
Tube OD	Tube Wall Thickness (Inches)											
	0.010	0.012	0.014	0.016	0.020	0.028	0.035	0.049	0.065	0.083	0.095	0.109
1/16"	5600	6800	8100	9400	12000							
1/8"						8500	10900					
3/16"						5400	7000	10200				
1/4"						4000	5100	7500	10200			
5/16"							4000	5800	8000			
3/8"							3300	4800	6500			
1/2"							2600	3700	5100	6700		
5/8"								2900	4000	5200		
3/4"								2400	3300	4200	4900	5800
7/8"								2000	2800	3600	4200	4800
1"									2400	3100	3600	4200

304 and 316 annealed seamless tubing per ASTM A-269 or equivalent working pressure are based on allowable stress of 20,000 psi between -20° F and 100° F (Reference: ANSI B31.3)

COPPER TUBING								
Tube OD	Tube Wall Thickness (Inches)							
	0.028	0.035	0.049	0.065	0.083	0.095	0.109	0.120
1/8"	2700	3600	5100					
3/16"	1800	2300	3400					
1/4"	1300	1600	2500	3500				
5/16"		1300	1900	2700				
3/8"		1000	1600	2200				
1/2"		800	1100	1600	2100			
5/8"			900	1200	1600	1900		
3/4"			700	1000	1300	1500	1800	
7/8"			600	800	1100	1300	1500	
1"			500	700	900	1100	1300	1500

Copper tubing per ASTM B-75 or equivalent. Working pressures are based on allowable stress of 6,000 psi between -70°F and 100° F (Reference: ANSI B31.3)

STRESS FACTORS				
Stress Factor used to calculate maximum allowable working pressures at elevated temperatures.				
NOTE: To find the maximum allowable working pressures for various tube materials at elevated temperatures, simply multiply the maximum allowable working pressure for the tube size and wall thickness found in these charts by the correct Stress Factor found in the table below:				
Temperature Stress Factor				
TEMP (°F)	304 Stainless Steel	316 Stainless Steel	Carbon Steel	Copper
200	1.00	1.00	.95	.80
400	.93	.96	.87	.50
600	.82	.85		
800	.76	.79		
1000	.69	.76		

CARBON STEEL TUBING								
Tube OD	Tube Wall Thickness, (Inches)							
	0.028	0.035	0.049	0.065	0.083	0.095	0.109	0.120
1/8"	8000	10200						
3/16"	5100	6600	9600					
1/4"	3700	4800	7000	9600				
5/16"		3700	5500	7500				
3/8"		3100	4500	6200				
1/2"		2300	3200	4500	5900			
5/8"		1800	2600	3500	4600	5300		
3/4"			2100	2900	3700	4300	5100	
7/8"			1800	2400	3200	3700	4300	
1"			1500	2100	2700	3200	3700	4100

Carbon steel hydraulic tubing per ASTM A-179 or equivalent. Working pressures are based on allowable stress of 15,700 psi between -70°F and 100° F (Reference: ANSI B31.3)

PIPE END PRESSURE RATINGS				
NPT Pipe Size	316 Stainless and Carbon Steel		Brass	
	Male	Female	Male	Female
1/8"	10000	6500	5000	3200
1/4"	8000	6600	4000	3300
3/8"	7800	5300	3900	2600
1/2"	7700	4900	3800	2400
3/4"	7300	4600	3600	2300
1"	5300	4400	2600	2200

Fittings with both Tube and NPT threaded pipe end connections have different pressure ratings. When specifying these type fittings, please refer to this chart for maximum allowable pressure ratings. A thread sealant is recommended when using NPT connections.

ASSEMBLY INSTRUCTIONS

Assembly Instructions

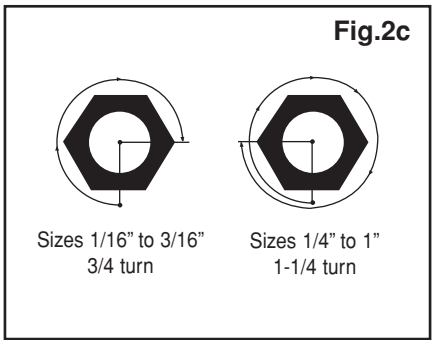
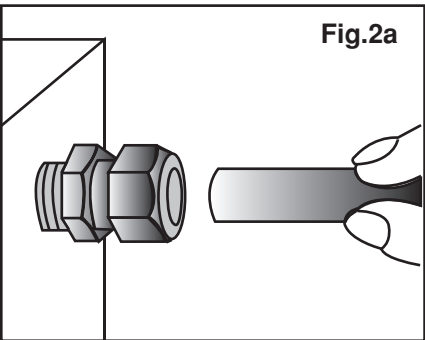
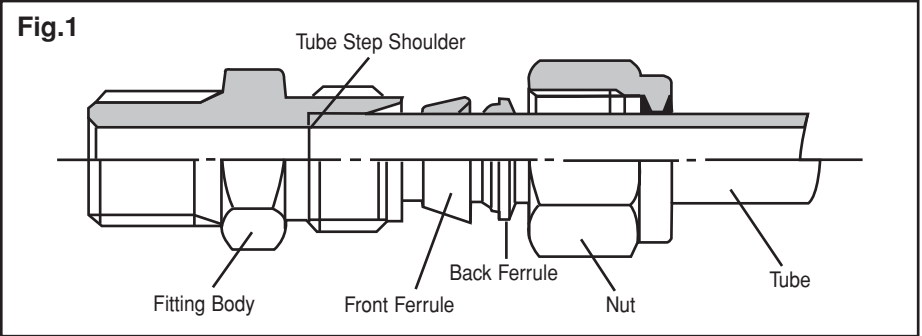
The following procedures refer to the proper assembly of the BI-Lok Series D Dual Ferrule Tube Fittings.

1. BI-Lok Tube Fittings are supplied fully assembled and individually bagged, allowing for clean efficient make-up. Should component assembly be required, please note that the order of assembly is the front ferrule into the cone of fitting body, back ferrule and fitting nut as noted in Fig. 1.

2. Insert the tubing into the fitting body until it bottoms out against the tube stop shoulder of the fitting. Please note that tubing should be cut squarely and free of burrs.

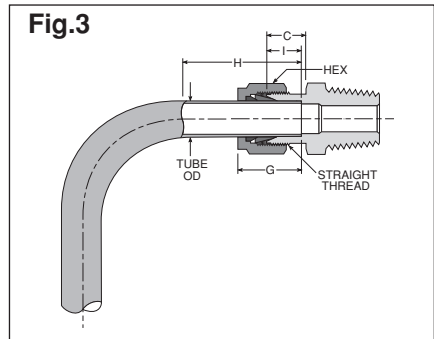
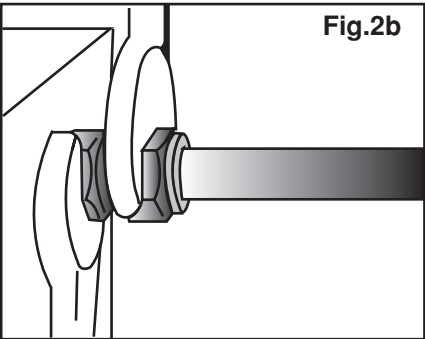
3. Hand tighten the nut as much as possible, bringing the fitting to what is called the "finger tight" position.

4. Secure the fitting body with a wrench and tighten the nut with another wrench an additional 3/4 of a turn for tube sizes 1/16" thru 3/16" or for sizes 1/4" and above 1-1/4 turns. (refer to Fig. 2a, 2b, and 2c).



Reassembly Instructions

To reassemble a BI-Lok Series D Dual Ferrule Tube Fitting, simply insert the tube assembly (nut, front and back ferrule pre-swaged on the tube) into the fitting body and hand tighten the nut. Next, using a wrench, rotate the nut approximately 1/4 of a turn (back to the original make-up position) and then tighten the nut slightly.



Tube Measuring and Fitting

When measuring and bending tubing it is important to be aware of two critical measurements. The first being the tube insertion depth (reference dimension G) into the fitting assembly which must be considered in the determining the over all length of tube required. The other being the minimum length of straight tubing required for a proper tube bend (reference dimension H). Both measurements are dependant on tube OD; please use Fig. 3 for reference purposes.

Tube Size	A Tube OD	Straight Thread	Hex Tube Nut	C	G	H	I
1	1/16"	10-32	5/16"	0.27	0.34	1/2"	0.19
2	1/8"	5/16"-20	7/16"	0.34	0.50	23/32"	0.25
3	3/16"	3/8"-20	1/2"	0.37	0.54	3/4"	0.28
4	1/4"	7/16"-20	9/16"	0.40	0.60	13/16"	0.31
5	5/16"	1/2"-20	5/8"	0.44	0.64	7/8"	0.34
6	3/8"	9/16"-20	11/16"	0.47	0.66	15/16"	0.37
8	1/2"	3/4"-20	7/8"	0.47	0.90	13/16"	0.50
10	5/8"	7/8"-20	1"	0.47	0.96	1 1/4"	0.56
12	3/4"	1"-20	1 1/8"	0.47	0.96	1 1/4"	0.56
14	7/8"	1 1/8"-20	1 1/4"	0.47	1.02	1 5/16"	0.63
16	1"	1 5/16"-20	1 1/2"	0.56	1.23	1 1/2"	0.75