

Starrett®



2900

3600

2700

ELECTRONIC INDICATORS

METROLOGY SOLUTIONS

Find Quality Products Online at:

www.GlobalTestSupply.com

sales@GlobalTestSupply.com

Starrett® 2700 BACKLIGHT INDICATORS

2700 BACKLIGHT INDICATORS

The 2700 Backlight Indicators are offered in 1", 2" and 4" ranges. The deep backlight color indicates tolerances and allows the indicator to be easily read at far distances, in poor lighting and with limited operator experience.

FEATURES

- Backlight relates a reading to tolerance values
- SPC Cables, USB, MTI, RS232
- Inch/metric display
- Travel reverse
- Maximum reading hold
- Single gage simple data collection software included
- Floating zero
- Minimum reading hold
- Abs./preset measuring mode
- T.I.R. with low and high storage recall
- USB/AC power cable included
- Lock combination



Cat. No.	EDP	Range	SPC Output	Accuracy	Resolution
2700-800	72689	1"	x	(±) 2. Res.	.0001"
2700-801	72690	1"	x	(±) 2. Res.	.000050"
2700-802	72691	2"	x	(±) 2. Res.	.0005"
2700-803	72692	2"	x	(±) 2. Res.	.0001"
2700-804	72693	4"	x	(±) 2. Res.	.0005"
2700-805	72694	4"	x	(±) 2. Res.	.0001"
Accessories, Power Source, Cables					
Part No.	EDP	Description			
PT60646	72592	Cable to SPC computer, not foul switch			
2700SCKB	69891	SmartCable with USB 2.0 for 2700 Micrometer with foul switch and built-in wedge			
2700SCU	23956	USB Cable, 2700 Series			
Backs/Lever*					
Part No.	EDP	Description			
PT26406	65886	Flat back			
PT26407	65887	Offset lug back			
PT26411	65891	Adjustable lug back			
PT26408	65888	Adjustable back			
PT26409	65889	Post-type back			
PT26410	65890	Screw bracket back			
PT26848	66293	Adjustable mounting bracket back			
PT26405	65885	Lifting lever			

*Other backs, styles and accessories also available by request.

Starrett

2700 INDICATORS

2700 ELECTRONIC INDICATORS

The 2700 Indicator is one of the most versatile of the electronic indicators. All indicators feature a glass scale design with an unsurpassed accuracy of \pm two resolution when measuring from a known standard. All have rugged, sealed enclosures as well.

FEATURES

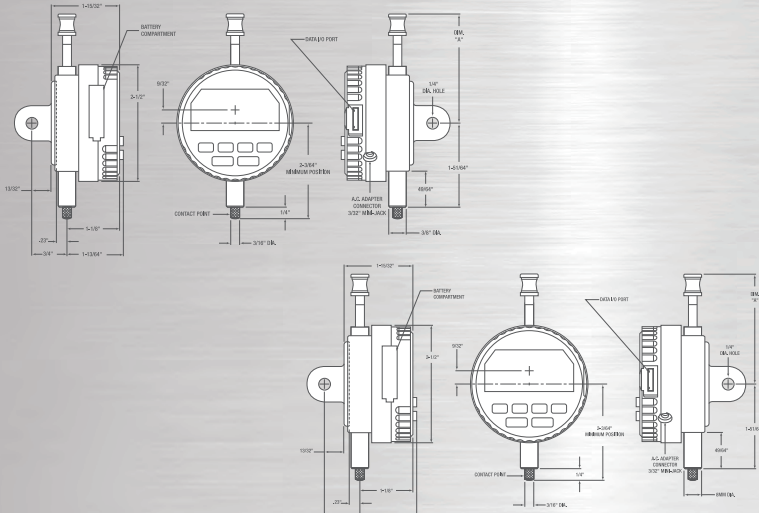
- 8 resolutions and 4 measuring ranges available
- Digital display (plus or minus travel direction)
- Zero the tool at any position of the spindle
- Rotating bezel
- Auto Off after 10 minutes of non-use
- Three power sources - operate by battery, A/C adaptor or through data port
- Output jack allows data transmission



Catalog Number	Inch/Metric - 8mm Stem - M2.5 x 0.45 Thread										
	F2720IQM	F2730IQM	F2730-1IQM	F2740IQM	F2750IQM	F2720ADM	F2720-1ADM	F2730ADM	F2730-1ADM	F2740ADM	F2750ADM
EDP	49512	49513	09992	49514	49515	49504	09993	49505	09994	49506	49507
Range											
0.6" (15mm)	x					x	x				
1" (25mm)		x	x					x	x		
2" (50mm)				x						x	
4" (100mm)					x						x
Resolution											
0.01"/.0005"/.0001"/.00005"											
(0.02mm/0.01mm/0.002mm/0.001mm)	x	x				x		x			
0.01"/.0005"/.0001"				x	x				x	x	x
(0.02mm/0.01mm/0.002mm)			x	x	x						
Accuracy											
\pm .0001" (\pm 0.002mm)	x	x				x		x			
\pm .0002" (\pm 0.004mm)			x	x	x		x		x	x	x
Additional Features											
Origin Set, Zero Set	x	x	x	x	x	x	x	x	x	x	x
Counting Direction Switching (+)	x	x	x	x	x	x	x	x	x	x	x
Power ON/OFF	x	x	x	x	x	x	x	x	x	x	x
Inch/mm Conversion	x	x	x	x	x	x	x	x	x	x	x
SPC Output	x	x	x	x	x	x	x	x	x	x	x
Limit Set	x	x	x	x	x	x	x	x	x	x	x
Value Preset	x	x	x	x	x	x	x	x	x	x	x
Reading Hold	x	x	x	x	x	x	x	x	x	x	x
Selectable Resolutions	x	x	x	x	x	x	x	x	x	x	x
Feature Lock	x	x	x	x	x	x	x	x	x	x	x
Max/Min/Runout Value Holding	x	x	x	x	x	x	x	x	x	x	x
Programmable Ratios	x	x	x	x	x						
Back Style											
Lug On Center	x	x	x	x	x	x	x	x	x	x	x
Battery Type											
CR2450 (2)	x	x	x	x	x	x	x	x	x	x	x

Starrett

2700 INDICATORS

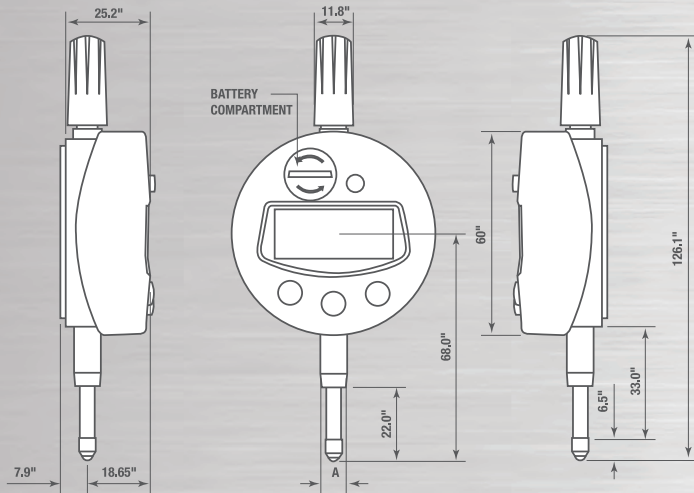


Catalog Number	Inch/Metric - .375" Stem - #4-48 UNF Thread										
	F2720IQ	F2730IQ	F2730-1IQ	F2740IQ	F2750IQ	F2720AD	F2720-1AD	F2730AD	F2730-1AD	F2740AD	F2750AD
EDP	49508	49509	49516	49510	49511	49500	00043	49501	00045	49502	49503
Range											
0.6" (15mm)						x	x				
1" (25mm)	x	x	x					x	x		
2" (50mm)				x						x	
4" (100mm)					x						x
Resolution											
0.01"/.0005"/.0001"/.00005"											
(0.02mm/0.01mm/0.002mm/0.001mm)	x	x				x		x			
0.01"/.0005"/.0001"				x	x				x	x	x
(0.02mm/0.01mm/0.002mm)			x	x	x						
Accuracy											
\pm .0001" (\pm 0.002mm)	x	x				x		x			
\pm .0002" (\pm 0.004mm)			x	x	x		x		x	x	x
Additional Features											
Origin Set, Zero Set	x	x	x	x	x	x	x	x	x	x	x
Counting Direction Switching (+)	x	x	x	x	x	x	x	x	x	x	x
Power ON/OFF	x	x	x	x	x	x	x	x	x	x	x
Inch/mm Conversion	x	x	x	x	x	x	x	x	x	x	x
SPC Output	x	x	x	x	x	x	x	x	x	x	x
Limit Set	x	x	x	x	x	x	x	x	x	x	x
Value Preset	x	x	x	x	x	x	x	x	x	x	x
Reading Hold	x	x	x	x	x	x	x	x	x	x	x
Selectable Resolutions	x	x	x	x	x	x	x	x	x	x	x
Feature Lock	x	x	x	x	x	x	x	x	x	x	x
Max/Min/Runout Value Holding	x	x	x	x	x	x	x	x	x	x	x
Programmable Ratios	x	x	x	x	x						
Back Style											
Lug On Center	x	x	x	x	x	x	x	x	x	x	x
Battery Type											
CR2450 (2)	x	x	x	x	x	x	x	x	x	x	x

The 3600 Indicator has powerful, easy-to-use functions. Versions are available for inch/metric and metric only.

FEATURES

- Long battery life
- Simple, powerful, easy-to-use functions, all at an attractive price
- Plastic storage case with clear cover
- Large, easy-to-read LCD
- Zero setting at any position
- Travel reverse
- Dust cap



	Inch/Metric - .375" Stem - #4-48 UNF Thread	Metric Only - 8mm Stem - M2.5 x 0.45 Thread
Catalog Number	3600-5	3600M-5
EDP	68813	68918
Range		
.5" (12.7mm)	X	
12.7mm		X
Resolution		
.0005" (0.01mm)	X	
0.01mm		X
Accuracy		
±0.001" (±0.03mm)	X	
±0.03mm		X
Additional Features		
Origin Set, Zero Set	X	X
Counting Direction Switching (±)	X	X
Power ON/OFF	X	X
Inch/mm Conversion	X	
Back Style		
Flat and Lug On Center	X	X
Battery Type		
SR44 (1)	X	X

