

QUALITY SERIES 100MM COPPER ALLOY INTERNAL GAUGE

- Liquid Filled or Dry
- Removable polished bayonet ring
- Ranges to 10,000 psi
- Safety Glass Window

Stainless steel case with copper alloy internals. Ideal for heavy duty service in industrial and commercial environments. Features robust design with removable polished bayonet ring and adjustable pointer. Field fillable.

Typical applications include industrial machinery, oil field equipment and controls, wellheads, pipeline and general industrial.



SPECIFICATIONS

ACCURACY

ASME Grade 1A - ± 1.0% of range across full scale

CASE SIZES

100mm diameter (4")

CASE MATERIAL

304 Stainless Steel

CASE STYLES

LM - Lower Mount

TUBE & SOCKET

Copper alloy

MOVEMENT

Stainless Steel

CONNECTION

¼ and ½ NPT lower mount

RANGES

Vacuum to 10,000 psi

DIAL STANDARD

Single scale psi

DIAL COLOR

Black markings on white

POINTER

Aluminum, black painted, micro-adjustable

WINDOW

Safety Glass

FILL MEDIUM

See options

VENT

Rubber plug with snip-off feature

WEIGHT

Filled 2.0 lb.

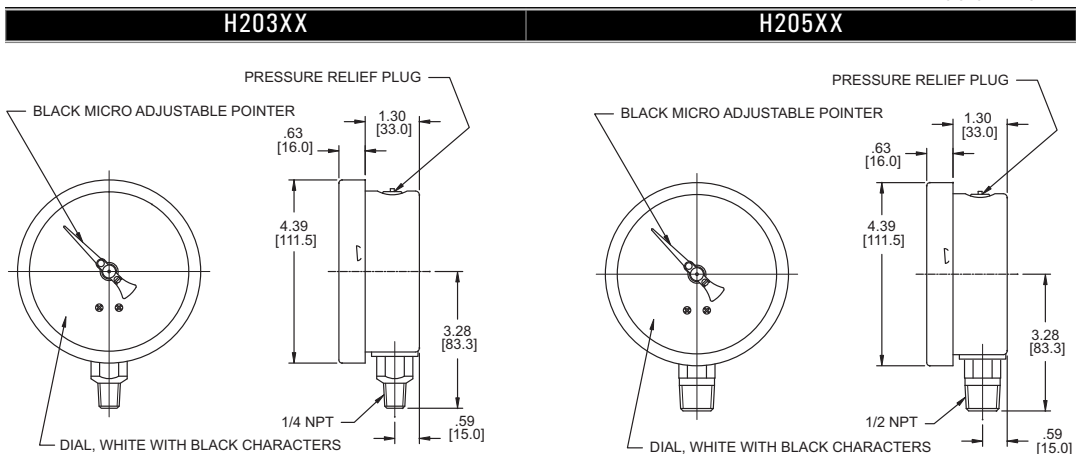
Dry 1.3 lb.

New !

STANDARD RANGES & PART NUMBERS

TYPE	QUALITY SERIES 100MM COPPER ALLOY INTERNAL	
	100mm	100mm
Size	100mm	100mm
Case Material	Stainless Steel	Stainless Steel
Internals	Copper Alloy	Copper Alloy
Mounting / Case Style	LM	LM
Connection	¼ NPT	½ NPT
Scale Standard	psi	psi
0 to 30" Hg Vacuum	H20305	H20505
0 to 15 psi	H20340	H20540
0 to 30 psi	H20342	H20542
0 to 60 psi	H20346	H20546
0 to 100 psi	H20348	H20548
0 to 160 psi	H20352	H20552
0 to 200 psi	H20354	H20554
0 to 300 psi	H20358	H20558
0 to 400 psi	H20360	H20560
0 to 600 psi	H20364	H20564
0 to 1,000 psi	H20372	H20572
0 to 1,500 psi	H20374	H20574
0 to 2,000 psi	H20376	H20576
0 to 3,000 psi	H20378	H20578
0 to 5,000 psi	H20382	H20582
0 to 10,000 psi	H20390	H20590

ALL DIMENSIONS ARE NOMINAL



To order filled, see filling chart below.

QUALITY SERIES 100MM COPPER ALLOY INTERNAL GAUGE OPTIONS			
OPTION	TYPE	SUFFIX	AVAILABLE ON MODELS
Fill Medium	Dry (no fill)	Standard	All ranges
	Glycerine (GL)	Add suffix P	
	Silicone (SL)	Add suffix PI	
Catalog Dials	bar only	L1	
	kg/cm ² only	L2	
	kPa only	L3	
	MPa only	L4	
	psi & BAR	W1	
	psi & kg/cm ²	W2	
	psi & kPa	W3	
psi & MPa	W4		