

IR5 12:1 DUAL-LASER INFRARED THERMOMETER

°F °C
-22° - 752° F
-30° - 400° C



Dual lasers for more accurate measurements

KLEIN TOOLS 
EST. 1857
For Professionals... Since 1857™

Find Quality Products Online at:

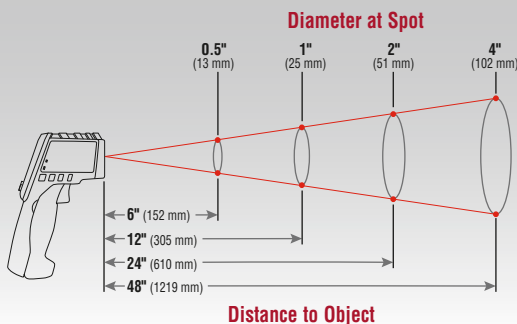
www.GlobalTestSupply.com

sales@GlobalTestSupply.com

IR5 12:1 Dual-Laser Infrared Thermometer



Laser dots indicate the measurement diameter:



The IR5 dual lasers assist in targeting the measurement area. The distance between the two laser spots on the surface of the object being measured approximates the diameter of the circular measurement area from which the infrared sensor is collecting data.

The IR5 is a professional dual-laser targeting infrared thermometer that offers a wide measurement range, a tight distance-to-spot ratio, and several calculation modes to facilitate different temperature measurement applications.

Features:

- Dual-laser Targeting
- 12:1 Distance to spot ratio
- Auto Scan
- Max/Min/Avg/Diff
- High/Low Alarm
- Backlit Display
- Auto Power Off
- Adjustable Emissivity

Measurement

Dual-Laser Targeting		•
Temperature	°F/°C	-22° - 752° F (-30° - 400° C)
Backlight		•
High/Low Alarm	HI/LO	•
Max/Min Value	MAX/MIN	•
Auto Power-Off	Apo	•
Data Hold	HOLD	•
Adjustable Emissivity		0.10 - 1.00

Durability

Drop Protection		6.6 ft. (2 m)
-----------------	--	------------------

Included Accessories:

Pouch, Battery



Cat. No.	UPC# 0-92644+	Batteries	Height	Width	Depth	Weight (oz.)
IR5	69030-3	1 x 9V	6.83" (173 mm)	1.85" (47 mm)	4.53" (115 mm)	9.84 (279 g)



CAUTION: Reflective materials may be hotter than indicated. Laser radiation-Do NOT stare into beam. Class 2 laser product.

°F °C
-22° - 752° F
-30° - 400° C

KLEIN TOOLS
EST. 1857
For Professionals Since 1857™

Date Pending



© 2016 Klein Tools, Inc.
Lincolnshire, IL 60069-1418
06148 Rev 03/16 A

Find Quality Products Online at:

www.GlobalTestSupply.com

sales@GlobalTestSupply.com