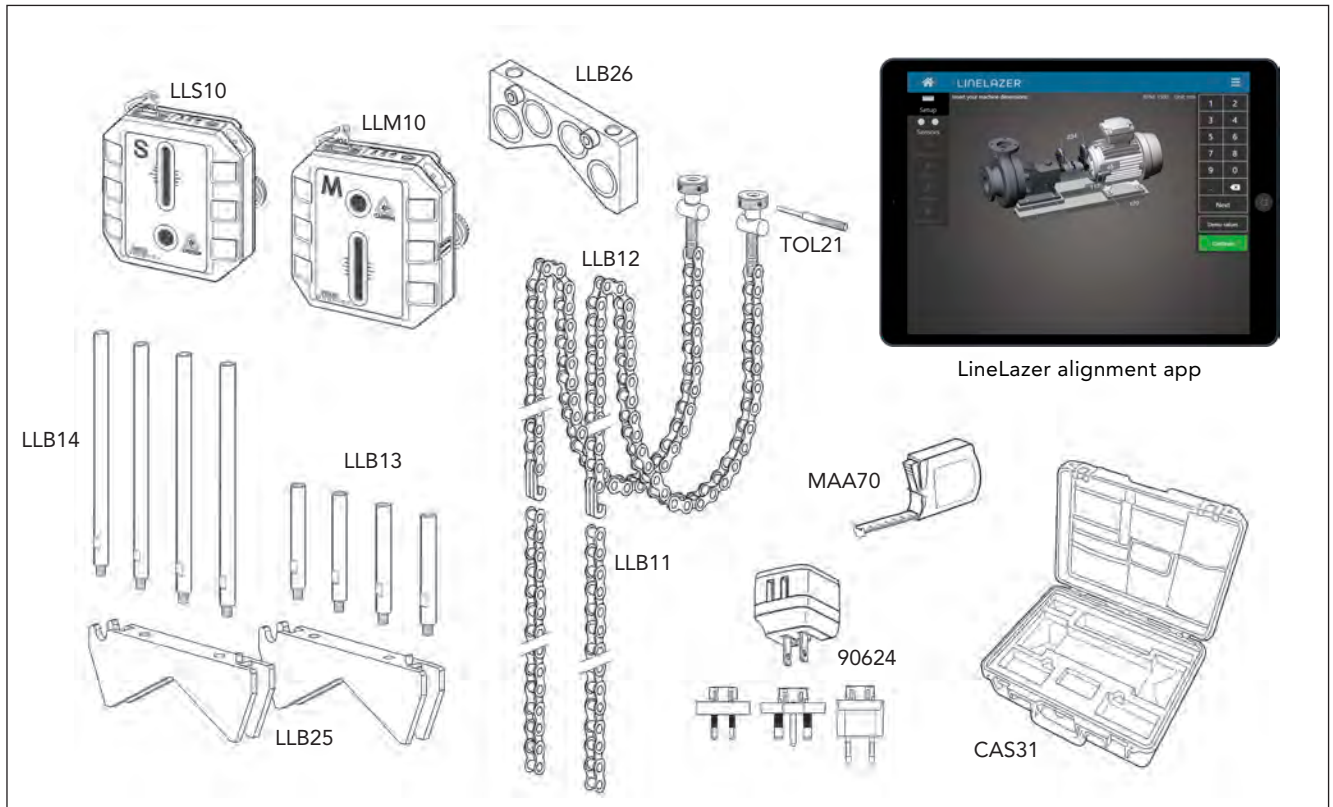


Alignment kit for the LineLazer app



The LineLazer alignment kit LLA500 contains alignment sensors, brackets, chains, rods, battery charger, cables and a tape measure – all in a convenient carrying case.

This kit fits a multitude of applications, e.g. compressors, gearboxes, generators, and pumps. Compensation values for thermal growth can be input. High precision inclinometers measure the angle of rotation of both detector units at all times. This allows measurement in fully automatic mode, with much less than a half-turn of the shaft. Measurement re-

sults are displayed in 100ths of millimetres or 1000ths of an inch. Specifications for the alignment sensors, see TD-524.

The LineLazer app guides the user through the alignment process in an intuitive way. With a visually appealing interface, it provides straightforward guidance to the feet corrections necessary to achieve a perfectly aligned machine. The app is free to download from App Store and Google Play, and can also be used in an Windows environment.

Alignment kit LLA500 for LineLazer alignment app

LLS10	1 pc.	Alignment sensor, S position (TD-524)
LLM10	1 pc.	Alignment sensor, M position (TD-524)
90624	1 pc.	Charger, dual USB, incl. interchangeable AC plugs, 100–240VAC, 50-60 Hz, 17 W
CAB94	2 pcs.	Charger cable, USB Type A to Mini-B USB, length 1.5 m
LLB25	2 pcs.	Shaft bracket for chain
LLB11	2 pcs.	Extension chain, length 1000 mm
LLB12	2 pcs.	Chain with tension adapter, length 500 mm
LLB13	1 set	Supporting rod, 80 mm, set of 4
LLB14	1 set	Supporting rod, 150 mm, set of 4
MAA70	1 pc.	Tape measure
TOL21	1 pc.	Torquing tool for chains and rods
81339	1 pc.	Plastic box
CAS31	1 pc.	Carrying case, plastic with foam insert

Options

LLB26 Magnetic bracket

Spare parts

LLB20 Supporting rod, 80 mm
 LLB21 Supporting rod, 150 mm