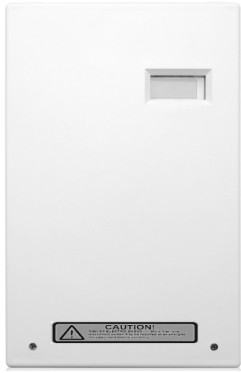


# VerifEye™ Mini Meter™ Kits

## Submetering Solutions for Accurate Measurement & Verification



Mini Meter Indoor Flush Mount Enclosure



Mini Meter Indoor Surface Mount Enclosure



Mini Meter Outdoor Enclosure



Mini Meter Module



Current Transformers (CTs)

### DEFINITION

Leviton VerifEye™ Mini Meter™ line of revenue-grade meters meet the requirements for all single phase tenant billing applications. Designed to provide a simple and effective process for accurately capturing measurements of power consumption, Mini Meters are easy to specify and install for new construction and retrofits.

- 0.5% kWh Meter, ANSI C12.20 (0.5), NRTL Certified
- 120V 1PH 2W and 120/208/240V 2PH 3W
- 100-200 Amps
- Kit includes submeter, Current Transformers (CTs) and the specified enclosure (if included)
- Multi-tenant residential applications
- Compact footprint; fits almost anywhere
- Cost effective solution
- Isolated pulse output channel for AMR compatibility

VerifEye meters utilize highly accurate current transformers for revenue-grade performance certified to ANSI standards.

Leviton offers CTs in solid and split core styles to accommodate all phases of installation and construction. Solid core CTs are ideal for new construction, when power is not live and wires can easily be threaded through the core. Split core CTs can be installed at any time without having to disconnect wire terminations, making them the optimal choice for retrofitting an existing structure. Split core CTs close securely for fast, precise installation with no need for time-consuming tie wraps and no worries about improper seating or core half separation. Both solid and split core CTs offer high quality, long term accuracy and reliability.

Every Mini Meter has an installer-friendly feedback feature. The user friendly reverse phase indicators, found on the meter's LCD, illuminate if a meter is installed improperly. After installation, the green duty cycle light shows that the meter is collecting electric consumption data at the appropriate rate.

## PRODUCT DATA

### APPLICATIONS

Use Mini Meters in multi-tenant residential and certain commercial industrial applications such as campgrounds and marinas for:

- Load profiling and benchmarking
- AMR/BAS/BMS/EMS integration
- Usage aggregation
- Tenant cost allocation
- Measurement and verification
- Energy conservation and cost reduction
- Green building initiatives and government mandates

### FEATURES

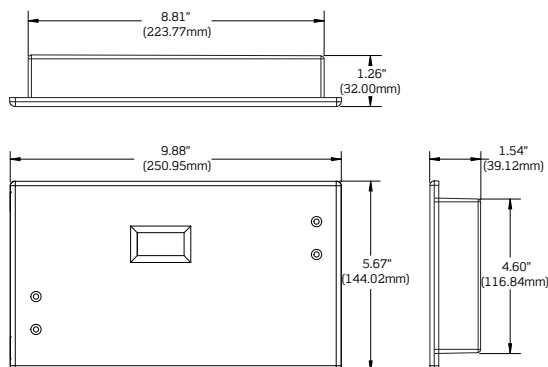
- Measures kWh
- Revenue-grade—0.5% kWh meter conforms to all applicable standards of ANSI C12.2
- Equipped standard with an Isolated Pulse Output channel for integration with automated meter reading
- Available in indoor flush mount and surface mount enclosures and outdoor NEMA 4X enclosures
- Utilizes revenue-grade Solid core Current Transformers (CTs) or 1.0% accuracy split core CTs
- “6” models UL/cUL Listed Energy Usage Monitor per CCN FTRZ
- Five year warranty

### CONFIGURATIONS\*

AMPERAGES	PHASE/VOLTAGES
100 and 200A	1Ø/2W - 120V
100 and 200A	1Ø/3W - 120/208/240V

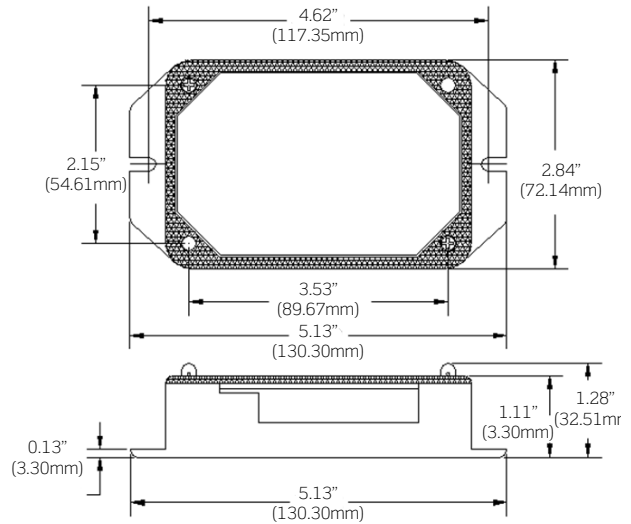
\* Contact factory for non-US voltage configurations.

### INDOOR FLUSH MOUNT ENCLOSURE — MK240, 6P201

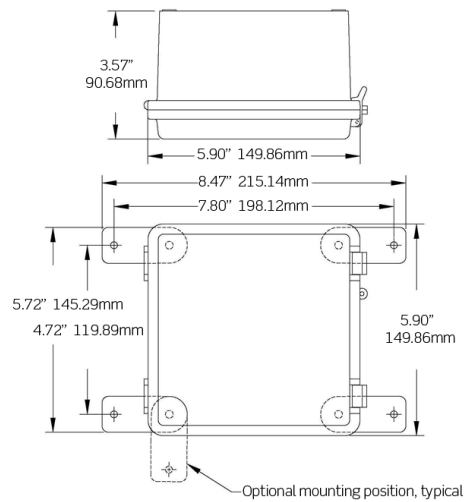


### DIMENSIONS

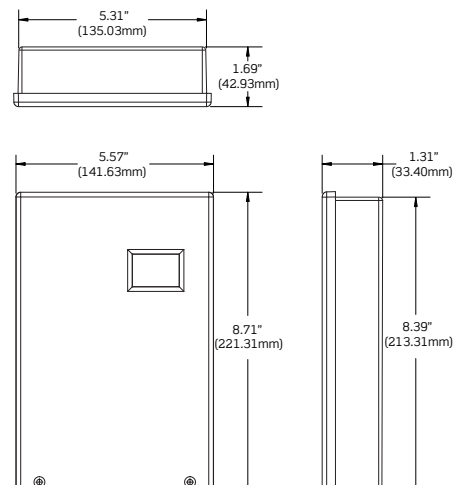
#### OEM METER — MSxCT, MDxCT



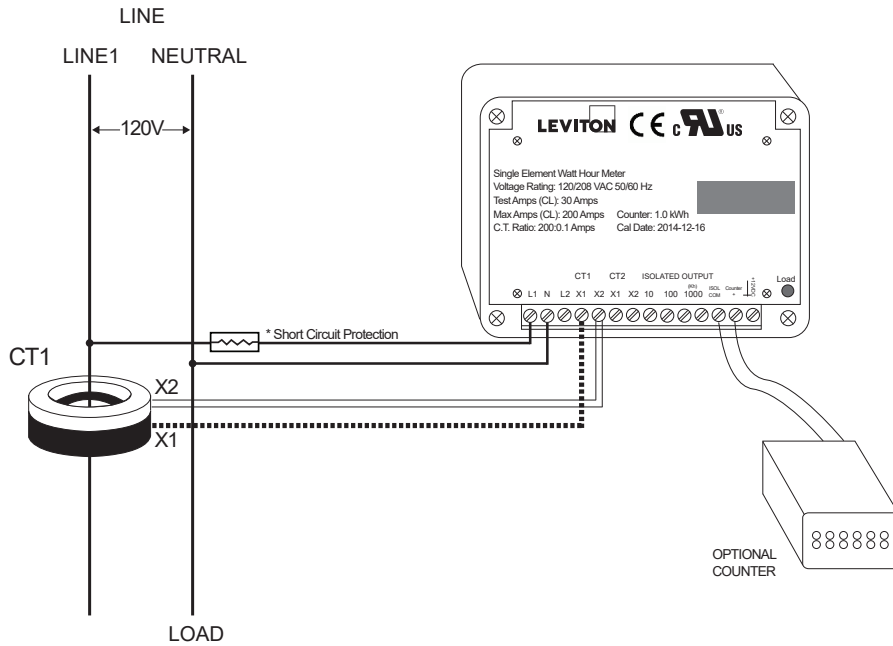
#### OUTDOOR ENCLOSURE — M0240



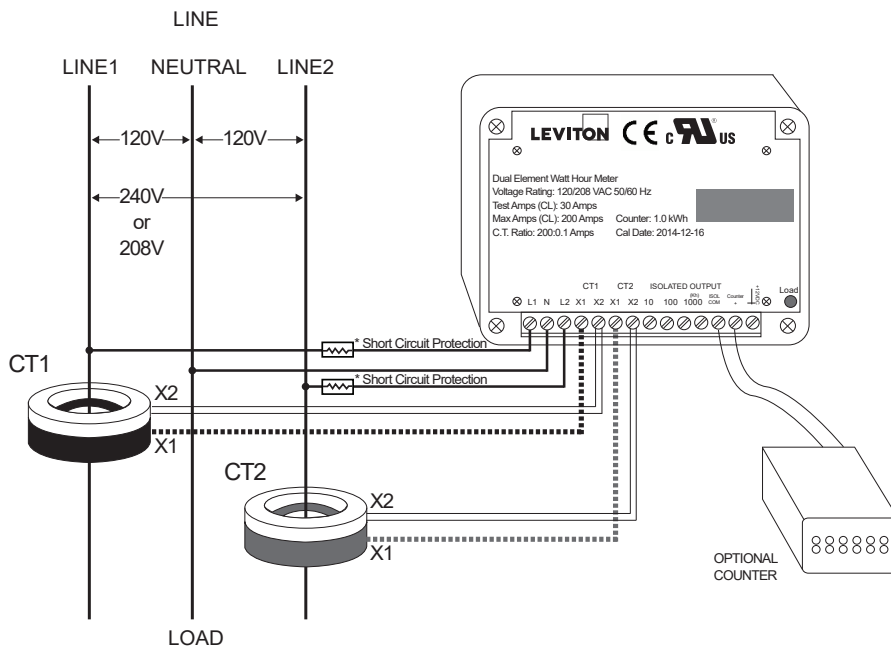
#### INDOOR SURFACE MOUNT ENCLOSURE — 6PSMT



**SINGLE ELEMENT, MINI METER WIRING DIAGRAM**



**DUAL ELEMENT, MINI METER WIRING DIAGRAM**



VeriEye™ Mini Meter™ Kits

**ORDERING INFORMATION**

**MINI METER KITS - INDOOR FLUSH MOUNT ENCLOSURE**

**NOTE:** All kits include meter, specified enclosure and Current Transformers (CTs)

VOLTAGE	AMPS	CTs INCLUDED	CAT. NO.
120/240 1PH/3W Split Phase, 120/208 2PH/3W	100A	2 Solid CTs	MK240-1SW
	200A		MK240-2SW
120/208/240V 1PH 3W			6P201-C02

**MINI METER KITS - INDOOR SURFACE MOUNT ENCLOSURE**

VOLTAGE	AMPS	CTs INCLUDED	CAT. NO.
120/240 1PH/3W Split Phase, 120/208 2PH/3W	100A	2 Solid CTS	6PSMT-C02

**MINI METER KITS - OUTDOOR ENCLOSURE**

VOLTAGE	AMPS	CTs INCLUDED	CAT. NO.
120/240 1PH/3W Split Phase, 120/208 2PH/3W	100A	2 Solid CTs	MO240-1SW
	200A		MO240-2SW
120/240 1PH/3W Split Phase, 120/208 2PH/3W	100A	2 Split CTs	MO240-01W
	200A		MO240-02W

**MINI METER KITS- LCD MODULE**

**NOTE:** All kits include meter and Current Transformers (CTs)

VOLTAGE	AMPS	CTs INCLUDED	CAT. NO.
<b>SINGLE ELEMENT MINI METER</b>			
120V 1PH 2W 0.1kWh	100A	1 Solid CT	MSNCT-1SC
	100A	1 Split CT	MSNCT-1SP
	200A	1 Solid CT	MSNCT-2SC
	200A	1 Split CT	MSNCT-2SP
120V 1PH 2W 1kWh	100A	1 Solid CT	MSTCT-1SC
	100A	1 Split CT	MSTCT-1SP
	200A	1 Solid CT	MSTCT-2SC
	200A	1 Split CT	MSTCT-2SP
<b>DUAL ELEMENT MINI METER</b>			
120/240 1PH/3W Split Phase, 120/208 2PH/3W 0.1kWh	100A	2 Solid CTs	MDNCT-1SC
	100A	2 Split CTs	MDNCT-1SP
	200A	2 Solid CTs	MDNCT-2SC
	200A	2 Split CTs	MDNCT-2SP
120/240 1PH/3W Split Phase, 120/208 2PH/3W 1kWh	100A	2 Solid CTs	MDTCT-1SC
	100A	2 Split CTs	MDTCT-1SP
	200A	2 Solid CTs	MDTCT-2SC
	200A	2 Split CTs	MDTCT-2SP

VerifEye™ Mini Meter Kits