

SHARK[®] 100

Multifunction Power and Energy Meter
Revenue Grade



**Shark[®] 100
Meter/Transducer**

Shark[®] 100T Transducer Only

Features

- 0.2% Class Accuracy - 400+ Samples/Cycle with 24-bit ADC
- Measures Voltage, Current, Power, Frequency, Energy, and Max Demand
- Optional KYZ Pulse and Standard IrDA Port
- Power Quality Measurements (THD and Alarm Limits)
- V-Switch™ Technology - Field Upgrade without Removing Installed Meter
- Large, Bright Red LED Display, with Intuitive Navigation
- % of Load Bar for Analog Meter Perception
- Optional RS485 Modbus and DNP3 Protocols
- Optional 10/100BaseT Ethernet
- Fits Both ANSI and DIN Cutouts
- Superior Quality - Rugged Design

Applications

- Utility Metering
- Commercial Metering
- Substations
- Industrial Metering
- Power Generation
- Campus Metering
- Submetering
- Analog Meter Replacement

Introduction

Electro Industries' Shark[®] 100 meter is one of the industry's highest performance revenue grade panel meters. With a sampling rate of over 400 samples per cycle, the meter excels in accuracy, with readings rated at ANSI C12.20 0.2 CL and IEC 62053-22 0.2S classes. The meter has an easy-to-read, bright red LED display, with intuitive navigation. The Shark[®] 100 meter is ruggedly designed using intrinsically safe current inputs. It is ideal for both new metering applications and as an easy replacement for existing, installed meters.

High Performance and Economical Pricing for High Volume Deployment



Find Quality Products Online at:

www.GlobalTestSupply.com

sales@GlobalTestSupply.com

Superior Accuracy

| Measured Parameters | Accuracy % of Reading | Display Range |
|---------------------|-----------------------|------------------------------|
| Voltage L-N | 0.1% | 0-9999 V or kV Scalable |
| Voltage L-L | 0.1% | 0-9999 V or kV Scalable |
| Current | 0.1% | 0-9999 Amps or kAmps |
| +/- Watts | 0.2% | 0-9999 Watts, kWatts, MWatts |
| +/-Wh | 0.2% | 5 to 8 Digits Programmable |
| +/-VARs | 0.2% | 0-9999 VARs, kVARs, MVARs |
| +/-VARh | 0.2% | 5 to 8 Digits Programmable |
| VA | 0.2% | 0-9999 VA, kVA, MVA |
| VAh | 0.2% | 5 to 8 Digits Programmable |
| PF | 0.2% | +/- 0.5 to 1.0 |
| Frequency | 0.01 Hz | (45 to 65) Hz |
| THD | 5.0% | 0 to 100% |
| % Load Bar | 1-120% | 10 Digit Resolution Scalable |

Note: Typical results are more accurate. Applies to 3 Element WYE and 2 Element Delta Connections. Add 0.1% of Full Scale plus 1 digit to accuracy specs for 2.5 Element connections.

Communication and Pulse Output

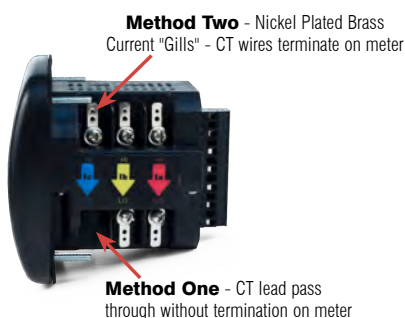
- Optional RS485 port offers Modbus communication and baud rates from 9,600 to 57,600 (485P Option).
- Optional 10/100BaseT Modbus TCP Ethernet Port (INP10 Option).
- Optional communication includes a fixed energy pulse mapped to positive energy.

Easy to Install and Use

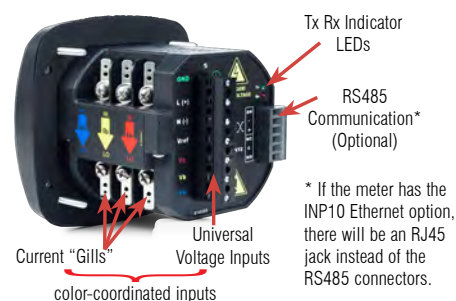
- Simple faceplate programming.
- Set up through PC.
- Phasor diagram showing wiring status.
- Auto scroll of meter readings (programmable).
- Analog style % of load bar.
- Shallow panel depth.
- Color coordinated voltage and current inputs.



Front View



Side View



Rear View

Virtual Upgrade Switches

The Shark[®] 100 meter is equipped with EIG's exclusive V-Switch™ technology. This allows you to upgrade and add features, even after the meter is installed.

Note: You must purchase a Com port option to upgrade V-Switch™ keys (see the Ordering guide on the last page).

Available V-Switch™ Keys:

- V1 – Voltage and Current Meter (Default).
- V2 – V, A, kW, kVAR, PF, kVA, Freq.
- V3 – V, A, kW, kVAR, PF, kVA, Freq, kWh, kVAh, kVARh, and DNP3.
- V4 – V, A, kW, kVAR, PF, kVA, Freq, kWh, kVAh, kVARh, THD Monitoring, Limit Exceeded Alarms, and DNP3.

Rugged and Safe Voltage and Current Inputs

The Shark[®] 100 meter is designed for harsh electrical applications in both high voltage and low voltage power systems. This feature is especially important in power generation, utility substation, and critical user applications. This meter's structural and electrical design was developed based on the recommendations and approval of many of our utility customers.

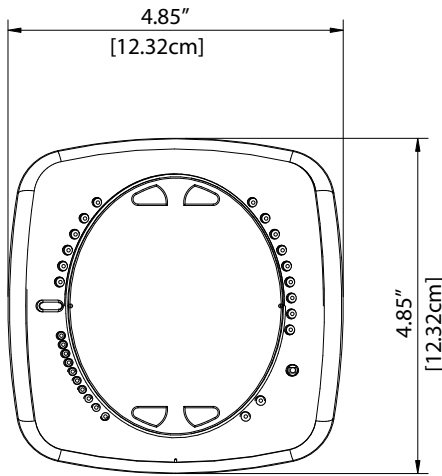
High Isolation Universal Voltage Inputs

- Voltage inputs allow measurement of up to 416 volts line to neutral and 721 volts line to line.
- One unit will perform to specification on 69 volt, 120 volt, 230 volt, 277 volt, and 347 volt power systems.

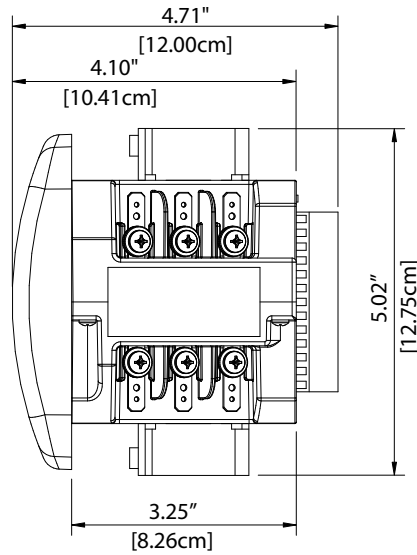
Short Circuit Safe Current Inputs - Current inputs use a unique dual input method:

- **Method One** – CT Lead Pass Through: The CT lead passes directly through the meter without any physical termination on the meter. This ensures that the meter cannot be a point of failure on the CT circuit. This method is preferable to utility users when sharing relay class CTs. No burden is added to the secondary CT circuit.
- **Method Two** – Current "Gills": The meter also provides ultra-rugged termination pass-through bars that allow the CT leads to be terminated on the meter. The Shark[®] meter's stud-based design ensures that your CTs will not open in a fault condition.

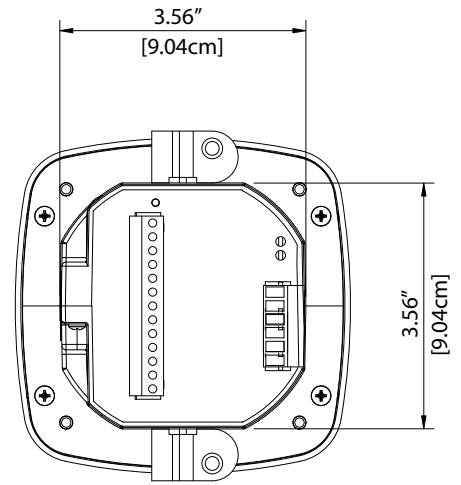
Dimensional Drawings



Front View

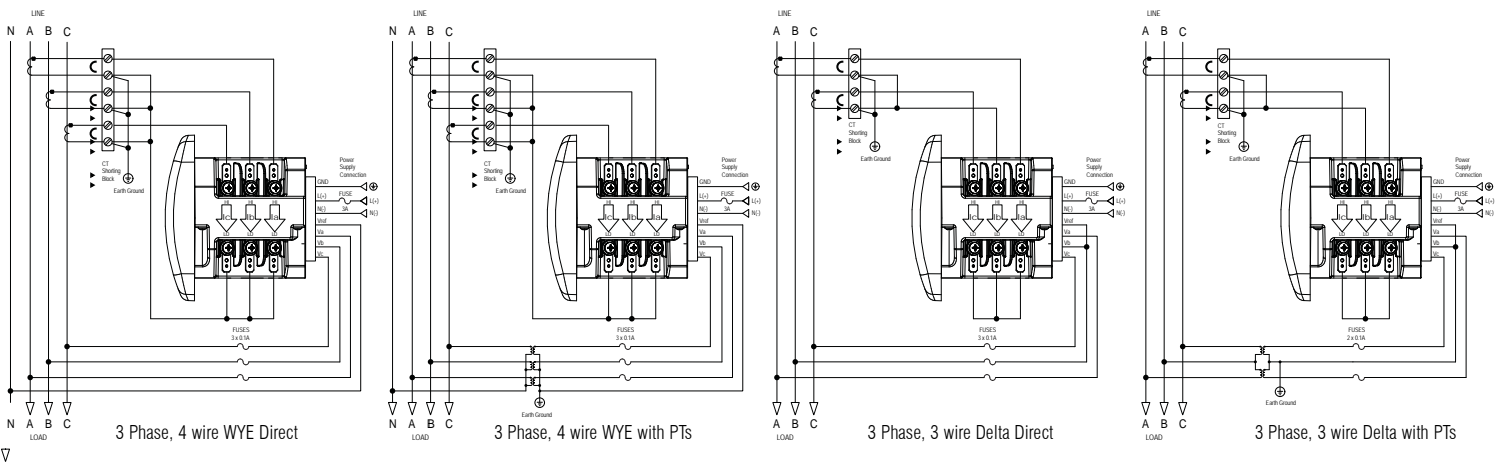


Side View



Rear View

Wiring Diagrams

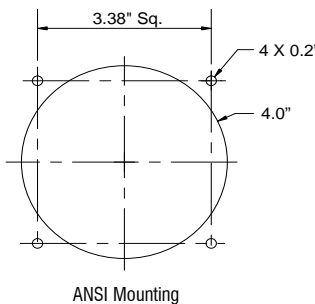


See the Shark[®] 100 Meter User Manual for additional wiring diagrams.

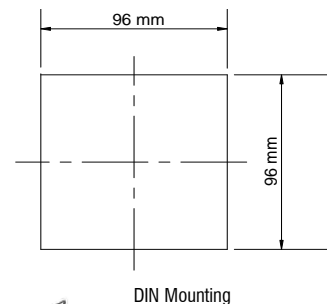
Shark[®] 100 Meter ANSI and DIN Mounting

The unit mounts directly in an ANSI C39.41 (4" round form) or an IEC 96 mm DIN square form. This is perfect both for new installations and for existing panels. In new installations, simply use DIN or ANSI punches. For existing panels, pull out old analog meters and replace them with the Shark[®] 100 meter. The meter uses standard voltage and current inputs so that CT and PT wiring does not need to be replaced.

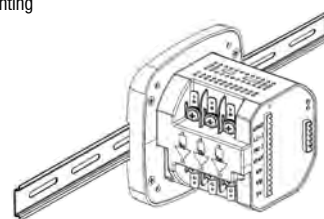
- Perfect for switchgear panel direct retrofit.
- Uses minimal panel space.
- Mounts in only 4" panel depth.



ANSI Mounting



DIN Mounting



Shark[®] 100T - DIN Rail Mounted Transducer

Specifications

Voltage Inputs

- Absolute Range: (20-416) Volts Line to Neutral, (0-721) Volts Line to Line
- Universal Voltage Input
- Input Withstand Capability – Meets IEEE C37.90.1 (Surge Withstand Capability)
- Programmable Voltage Range to Any PT Ratio
- Supports: 3 Element WYE, 2.5 Element WYE, 2 Element Delta, 4 Wire Delta Systems
- Burden: 0.36 VA per phase Max at 600 V, 0.014 VA at 120 Volts
- Input wire gauge max (AWG 12 / 2.5 mm²)

Current Inputs

- Class 10: (0.005 to 10) A, 5 A Nominal CT Secondary
- Class 2: (0.001 to 2) A, 1A Nominal CT Secondary
- Fault Current Withstand (at 23 °C): 100 A for 10 Seconds, 300 A for 3 Seconds, 500 A for 1 Second
- Programmable Current to Any CT Ratio
- Burden 0.005 VA per phase Max at 11 A
- 5 mA Pickup Current
- Pass through wire gauge dimension: 0.177" / 4.5 mm
- Continuous Current Withstand: 20 A for screw terminated or pass through current connections

Isolation

- All Inputs and Outputs are galvanically isolated to 2500 volts AC.

Environmental Rating

- Storage: (-20 to +70) °C
- Operating: (-20 to +70) °C
- Humidity: to 95% RH Non-Condensing
- Faceplate Rating: NEMA12 (Water Resistant)
- Mounting Gasket Included
- Protection: IP30 - Meter Front/Back, Optional DIN Rail Mounting

Sensing Method

- RMS
- Sampling at 400+ samples per cycle on all channels measured readings simultaneously
- Harmonic THD (% of Total Harmonic Distortion)

Update Rate

- Watts, VAR, and VA every 6 cycles
- All other parameters every 60 cycles

Power Supply

Option D2:

- (90 to 265) Volts AC@50/60 Hz or (100 to 370) Volts DC, Universal AC/DC Supply/5 VA Max

Option D:

- (18-60) V DC/3.5 W Max

Communication Format

- 2 Com Ports (Back and Faceplate)
- RS485 Port through Backplate (485P)
- IrDA through Faceplate
- 10/100BaseT Ethernet Modbus TCP/IP (INP10)
- Com Port Baud Rate: (9,600 to 57,600)
- Com Port Address: 0-247
- 8-bit, No parity
- Modbus RTU, ASCII, or DNP3 Protocols

KYZ Pulse

- Type Form A
- On Resistance: (25-35) Ω
- Peak Voltage: 350 V DC
- Continuous Load Current: 120 mA
- Peak Load Current: 350 mA (10 ms)
- Off State Leakage Current @ 350 V DC: 1 mA
- Opto-Isolation: 3750 V AC (60 Hz, 1 min)

Dimensions and Shipping

- Weight: 2 lbs
- Basic Unit: (H4.85 x W4.85 x L4.25) in.
- Shark® 100 – mounts in 96 mm DIN and ANSI C39.1 4" Round Cutouts
- Shark® 100T-DIN rail mounted transducer
- Shipping Container Dimensions: 6" cube

Meter Accuracy

- See page 2

Compliance:

- ANSI C12.20-2010 Accuracy, Class 0.2 CL
- IEC 62053-22 Accuracy, Class 0.2S*
- IEC 62053-23 Edition 1 Class 2
- CE (IEC 61000-6-2 & IEC 61000-6-4 & IEC 61326-1)*
 - IEC 61000-4-2 (Electrostatic Discharge)*
 - IEC 61000-4-3 (Radiated EM Immunity)*
 - IEC 61000-4-4 (EFT)*
 - IEC 61000-4-5 (Surge Immunity)*
 - IEC 61000-4-6 (Conducted Immunity)*
 - IEC 61000-4-8 (Magnetic Immunity)
 - IEC 61000-4-11 (Voltage Variations Immunity)*
- IEC/CISPR 11, Class A (Conducted, Radiated Emissions)*
- IEEE C37.90.1 (Surge Withstand)
- IEEE C62.41 (Surge Immunity)
- EU Directive 2011/65/EU (RoHS 3 Directive)
- REACH Compliant
- Certified to UL 61010-1 and CSA C22.2 No. 61010-1, UL File: E250818

* Third party lab tested

Ordering Information: To order, please fill out ordering guide.

| Model | Frequency | Current Class | V-Switch Pack | Power Supply | COM | Mounting (Shark100 Only) |
|---------------------------------------|---------------------------|---------------------------------------|--|--|--|-------------------------------------|
| Option Numbers: | - | - | - | - | - | - |
| Example: Shark 100 | 60 | 10 | V2 | D2 | X | X |
| Shark100 (Meter/Transducer) | 50 50 Hz System | 10 5 A Nominal CT Secondary | V1 Voltage/Current | D2 (90-265) V AC or (100-370) V DC | X No Com | X ANSI Mounting |
| Shark100T (Transducer Only) | 60 60 Hz System | 2 1 A Nominal CT Secondary | V2 Above with Power & Freq V3 Above with DNP3 and Energy Counters V4 Above with THD & Limits | D (18-60) V DC | 485P RS485+KYZ Pulse (Standard in Shark® 100T Transducer) | DIN DIN Mounting Brackets |
| | | | | INP10 10/100BaseT +KYZ Pulse | | |

Software

COMPQA5P1Y

CommunicatorPQA® 5.0 Configuration Software-Single-Computer License (One site)

ENERGYPQA-1Year

Cloud-based Energy Management Solution

Additional Accessories

Communication Converters

9PINC – RS232 Cable

CAB6490 - USB to IrDA Adapter

Unicom 2500 - RS485 to RS232 Converter

Unicom 2500-F – RS485 or RS232 to Fiber Optic Converter

Compliance Documents

Certificate of Calibration, Part # CCal – This provides Certificate of Calibration with NIST traceable test data.

