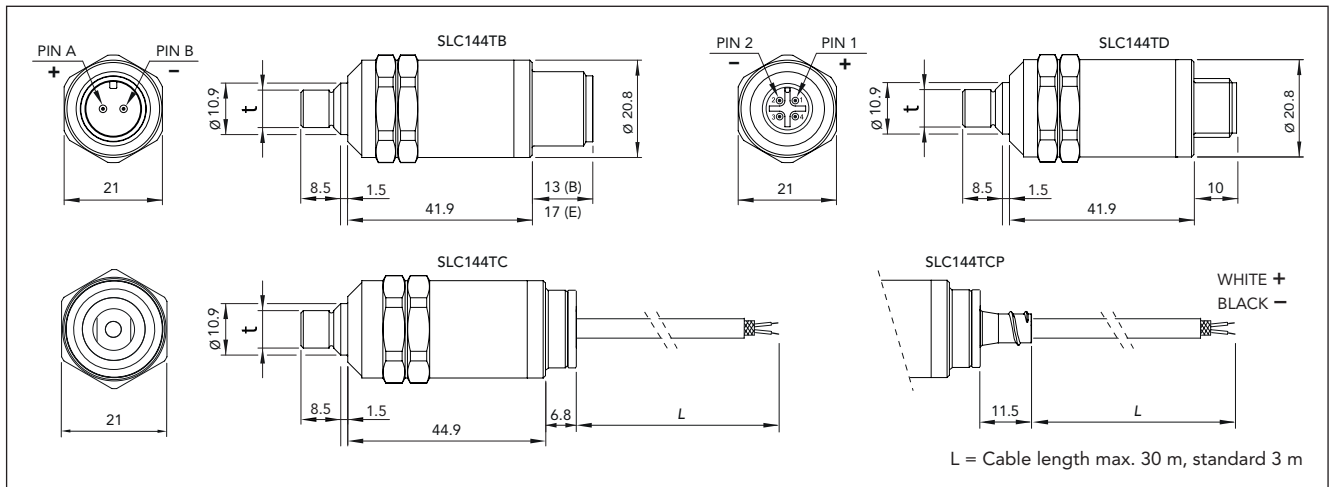


# DuoTech Accelerometer SLC144



The DuoTech accelerometer is a single transducer solution used for vibration or shock pulse measurements or both in combination. The accelerometer is mounted in a countersunk mounting hole identical to holes normally used by shock pulse transducers.

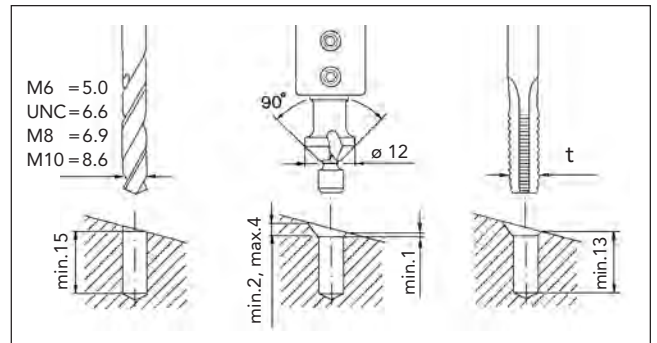
The housing and base are made of stainless acid proof steel suitable for aggressive environments. The accelerometer is internally isolated in a Faraday shield providing maximum protection from ground loops and RF interference.

## Technical specifications

Nom. sensitivity, main axis:	100 mV/g *
Meas. range, vibration:	600 m/s <sup>2</sup> = 60 g
Meas. range, shock pulse:	-12 to 75 dB
Transverse sensitivity:	max. 10%
Base strain sensitivity:	0.01 m/s <sup>2</sup> /μ strain
Frequency range, vibration:	2Hz to 10 kHz (±3 dB)
Settling time:	3 sec.
Bias point:	10 to 13V (typical 12V)
Power supply:	24 V, 4 to 5 mA
Temperature range:	-40 to +125 °C
Sealing:	IP65, IP66/67 with sealed connector (IP66/67 or higher)
Casing:	stainless acid proof steel, Sandvik Grade: 1802, EN: 1.4523
Isolation:	case isolated, > 10 Mohm
Mounting thread:	M6x1.0, M8x1.25, M10x1.5 or UNC5/16"-18
Torque limit:	10 Nm
Weight:	approx. 75 g (excl. cable)
Connection:	2 pin MIL-C-5015, 4 pin M12 or integral cable
Cable length (integral):	standard 3m, max. 30m
Cable type (integral):	SPM90389, shielded twisted pair, -40 to +90 °C **
Transducer line:	max. 100 m to instrument, cable capacitance 210pF/m

\* Individual value given on the calibration chart.

\*\* Shield not connected to case



## Mounting tools

82053	Countersink with fixed pilot for M8x1.25
81027	Holder for countersink
81028	Countersink, angle 90°, 12 mm dia.
81030	Pilot for M6x1.0
81031	Pilot for M8x1.25
81032	Pilot for UNC 5/16"-18
81033	Pilot for M10x1.5

To drill the mounting hole, use drill bits 5.0 for M6, 6.6 mm for UNC5/16", 6.9 mm for M8 or 8.6 for M10. Torque and unscrew the accelerometer with a torque wrench and a long 21 mm socket.

ARTICLE NO: 

SLC144	T	X	-	XXX	-	XX
A	B	C		D		E

A. Part number	SLC144
B. Design	T = Top entry
C. Connection	B = 2 pin connector MIL-C-5015 C = Integral cable CP= Integral cable, adapter for protection tube D = 4 pin M12 male connector, IEC compliant E = Extended 2 pin connector (17mm)
D. Thread (t)	M6, M8, M10 or UNC
E. Cable length (L)	Desired integral cable length in meters, standard 3m, max. 30m

SERIAL NO: 

X	X	X	X	X	X	X
Year	Week					Number

**SPM**

Find Quality Products Online at:

[www.GlobalTestSupply.com](http://www.GlobalTestSupply.com)

[sales@GlobalTestSupply.com](mailto:sales@GlobalTestSupply.com)