



VPS410-x
300 MHz

10:1 Voltage Probe Set,



VPS410-II-x
Set, 500 MHz

10:1 Voltage Probe

Double insulated voltage probe sets for ScopeMeter 190-Series II testtools, targeting industrial applications.

Models and Colors available:

- VPS410-R Red, 10:1, 300 MHz
- VPS410-B Blue, 10:1, 300 MHz
- VPS410-G Grey, 10:1, 300 MHz
- VPS410-V Green, 10:1, 300 MHz

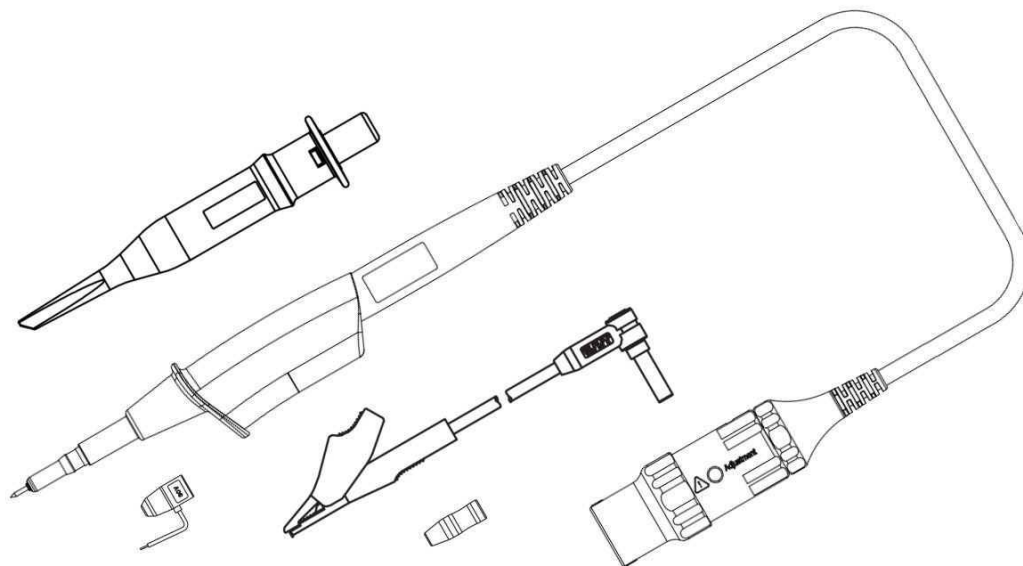
- VPS410-II-R Red, 10:1, 500 MHz
- VPS410-II-B Blue, 10:1, 500 MHz
- VPS410-II-G Grey, 10:1, 500 MHz
- VPS410-II-V Green, 10:1, 500 MHz

The most visible difference between the VPS410 and VPS410-II is in the use of a black ring on the BNC-connector for the VPS410 (as seen on the photograph, left, top section), versus a colored ring on the VPS410-II (see photo, lower section).

And, of course, the typenumber is included on the side of the probe body.

	VPS410-x	VPS410-II-x
Specification valid when probe is used with model:	190-series-II	190-50x
Voltage attenuation:	10:1	10:1
Bandwidth:	300 MHz	500 MHz
Maximum input voltage:	CAT III 1000V / CAT IV 600V	
Maximum Voltage to ground:	CAT III 1000V / CAT IV 600V	
Input Resistance:	10 MOhm	
Input Capacitance:	12 pF nom.	11.5 pF nom.
Compensation Range:	10 ~ 22 pF	
Cable length:	1.2m (3.9 ft)	

Safety:	IEC/EN 61010-031:2008 UL 61010B-031 CSA C22.2 No. 1010.2.031
Working Voltage:	1000V CAT III / 600V CAT IV
Each probe set includes:	* Probe assembly (main item), * Hook clip for probe tip (black), * Insulation sleeve for probe tip (black), * Reference lead with mini alligator clip (black), * Ground spring (black).
NOTE: Always apply either the insulation sleeve or the hook clip over the probe tip, when using the ground lead !	
Specification valid when used with Fluke 190-Series II ScopeMeter testtool (see note)	
Note: the specification and the voltage rating of these probes are optimized for use with the 190-series-II instruments. These probes may also be used with the Fluke 190C-series and with earlier ScopeMeter models, however special care should be taken when it comes to the overall specification of such combination. The overall rating is determined by the part that has the lowest rating ('the weakest link').	



Models and Colors available

VPS410-R Red Fluke item# 3894707

VPS410-B	Blue	Fluke item# 3894718
VPS410-G	Grey	Fluke item# 3894729
VPS410-V	Green	Fluke item# 3894734
VPS410-II-R	Red	Fluke item# 4276928
VPS410-II-B	Blue	Fluke item# 4276937
VPS410-II-G	Grey	Fluke item# 4276943
VPS410-II-V	Green	Fluke item# 4276955

VPS510-x Wide Bandwidth 10:1 Voltage Probe set



VPS510-V green

Double insulated, safety designed, wide bandwidth probe-set for ScopeMeter 190 Series II.
Compact size, targeting electronics applications.

Bandwidth: 500 MHz (when used with 190-50x)
Voltage Ratio: 10:1

Colors available:

VPS510-R red
VPS510-B blue
VPS510-G grey

Each probe set VPS510 includes:

300V CAT III rated:

10:1 Voltage Probe	1 red / blue / grey / green
Hook Clip for Probe Tip	1 black
Insulation sleeve	1 black
Ground Lead with Mini Alligator Clip	1 black
BNC to probetip adapter	1 black

30V CAT II rated:

Ground Spring for Probe Tip	1 black
Insulated miniature screwdriver for adjustment purposes.	1 black

Specification

Voltage Attenuation:	10:1
Bandwidth:	500 MHz
Max Input Voltage:	300 V CAT III
Max Voltage to ground:	300 V CAT III
Input Resistance:	10 M-ohm
Input Capacitance:	11 pF
Compensation range:	10 ~ 22 pF

Cable Length:	1.2 m (3.9 ft)
Safety:	* IEC / EN 61010-031: 2008; * UL 61010-031; * CSA C22.2 No. 1010.2.031
Working Voltage:	300 V CAT III
Max. Altitude:	2000 m
Pollution Degree:	2
Protection Class:	II (double insulation)

NOTE: Always apply either the insulation sleeve or the hook clip over the probe tip, when using the ground lead !

Specification of probe is valid only when used with Fluke 190-series II ScopeMeter testtools.
The full bandwidth can only be seen, using the Fluke-190-502 ScopeMeter testtool.

Fluke item numbers

VPS510-R:	4025781
VPS510-B:	4025796
VPS510-G:	4025801
VPS510-V:	4025812

