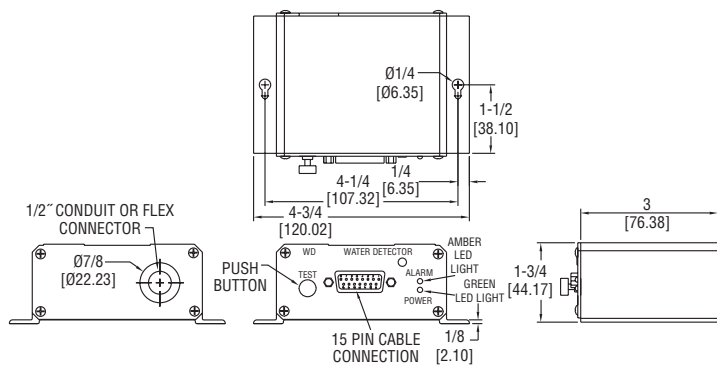




Model WD Water Detector and Sensor Tape

Specifications - Installation and Operating Instructions



The small and discreet Model WD Water Detector is designed for dependable detection of low levels of conductive liquids. The module features a sturdy and reliable aluminum enclosure and is powered by 24 VAC or 24 to 30 VDC. Water sensing tape attaches to module and if any liquid comes in contact with the tape the resistance is changed and the alarm will be triggered. The tape is hydrophobic so it does not absorb any of the liquid it is detecting which makes for a faster drying time and faster return to service after a water leak.

The sensing tape is 1" wide and can be bought in lengths of 5, 10, 15 and 25 feet. Multiple tapes can be connected together to extend the coverage area which makes it ideal for domestic as well as commercial applications. Typical uses include computer rooms, telecommunication facilities, in drip pans under HVAC equipment and around water pumps.

INSTALLATION

Remove front panel of device. Run wires through back plate and make terminations. Reassemble front panel. Plug the tape into the module and fasten the mounting screws. Use included plastic clips to mount tape to clean and dry surface. Contact cement provides a more secure installation than double face tape. Fold tape on itself to make sharp corners. Insulate tape from conduits and ground wires. Grounded tape may cause detector failure.

OPERATION AND TROUBLESHOOTING

Green LED will indicate proper power. Red LED is an alarm indicator. The water detector will go to alarm contact state on loss of power or if the tape sensor is removed. An open or shorted tape will be sensed by the detector and will produce an alarm contact state as well. The "Test" button can be used to test module operation. Depressing the button will simulate water detection on the tape and produce an alarm contact state. It is important to dry sensing cable with paper towel in case alarm has been caused by water. Do not allow water to evaporate on its own. Conductive residue will be left behind which will change tape's resistance. In worst case false alarms may occur over time.

If alarm is present and water cannot be located:

1. Disconnect tape
2. Unplug end of line (EOL) resistor from end of tape
3. Plug EOL resistor into the module

If alarm clears then replace the tape.

If alarm persists then replace the module.

WIRING

Model WD Water Detector is provided with round opening for 1/2" conduit or flex connector. Terminations are made to screw terminal connectors shown in Figure 1. Both outputs of alarm relay function identically. Contacts could be connected in parallel if load is heavier than 1A @ 24V. Do not apply voltages greater than 30 to alarm outputs.

SPECIFICATIONS

Service: Conductive Liquid.

Switch Type: DPDT.

Electrical Rating: 1A @ 24 VAC/VDC.

Power Requirements: 24 VAC, 24 to 30 VDC.

Power Consumption: 35 mA maximum.

Electrical Connections: Screw terminals.

Conduit Connections: Hole for 1/2" conduit.

Enclosure: Extruded aluminum.

Sensor Tape: 1" (25.4 mm) wide and 5, 10, 15 or 25 feet long.

Weight: 8 oz (.23 kg).

MAINTENANCE

Upon final installation of the Model WD Water Detector, no routine maintenance is required. A periodic check of the system calibration is recommended. The Model WD is not field serviceable and should be returned if repair is needed (field repair should not be attempted and may void warranty). Be sure to include a brief description of the problem plus any relevant application notes. Contact customer service to receive a return goods authorization number before shipping.

Figure 1: Wiring Connections

