

### Highlights

- Type J or K, or 0 - 5 V output
- Two models cover temperature ranges from 0 to 500°C
- IP 65 stainless steel electronics housing
- 4:1 optics at 90% energy
- 350 ms (95%) response time
- Powered by 12 – 24 VDC at 20 mA
- Accessories for cooling and air purging

## CI Datasheet



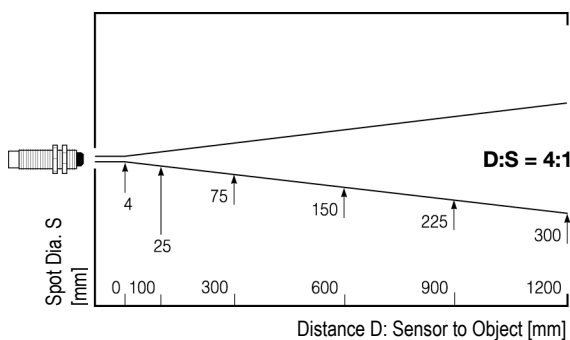
### General Specifications

<b>Environmental Rating</b>	IP65 (IEC 529)
<b>Ambient Temperature</b>	
Sensing head	0 to 70°C
With air cooling	up to 90°C
With water cooling	up to 260°C
<b>Storage Temperature</b>	-30 to 85°C
<b>Relative Humidity</b>	10 to 95%, non-condensing
<b>Shock</b>	IEC 68-2-27, 50 g's, 11 ms, any axis
<b>Vibration</b>	IEC 68-2-27, 3 g's, any axis, 11–200 Hz
<b>Dimension</b>	L 89 mm, Ø 19 mm
<b>Weight</b>	130 g

### Electrical Specifications

<b>Outputs</b>	User-selectable thermocouple output (model specific, either J or K) or voltage output 10 mV/°C
<b>Cable Length</b>	1 m standard, longer cables optional
<b>Output Impedance (J/K)</b>	50 Ω
<b>Minimum Load Impedance (mV)</b>	50 kΩ
<b>Power Supply</b>	12 – 24 VDC, ±5%, 20 mA

### Optical Specifications

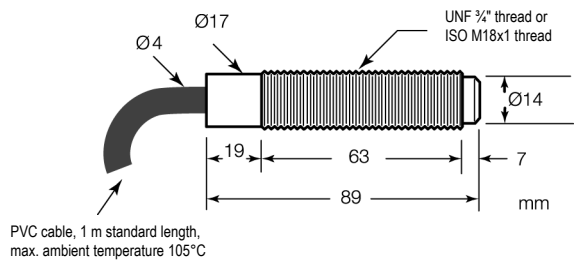


### Measurement Specifications

<b>Temperature Range</b>	
Model A	0 to 115°C
Model B	100 to 500°C
<b>Spectral Response</b>	7 to 18 μm
<b>Accuracy</b>	±2% or ±3°C <sup>1</sup>
<b>Repeatability</b>	±1% or ±1°C <sup>1</sup>
<b>Temperature Resolution</b>	0,5°C
<b>Response Time</b>	350 ms (95%)
<b>Emissivity</b>	fixed at 0,95

<sup>1</sup> whichever is greater

### Dimensions

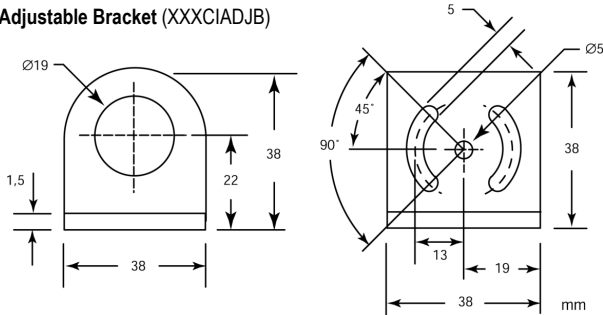


## Accessories

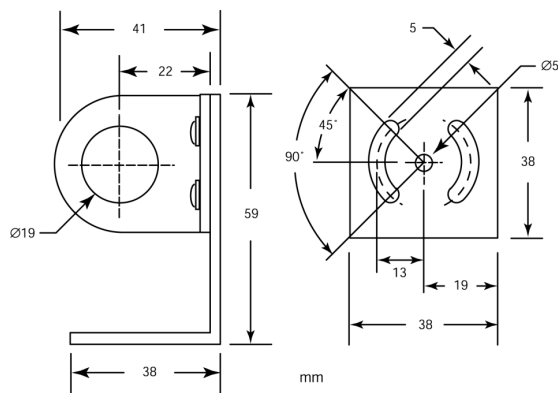
Each sensor includes two mounting nuts, 1 m of cable, and an operator's manual. Additional accessories are available:

- Cable extension accessories for mV or thermocouple: 7,5 m, 15 m or 30 m

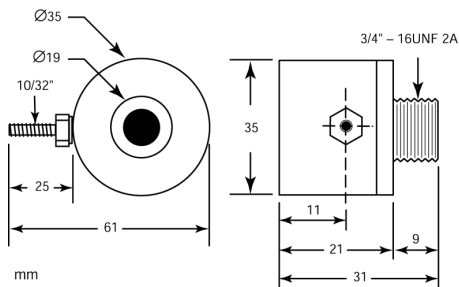
### Adjustable Bracket (XXXCIADJB)



### Fixed Bracket (XXXCIACFB)



### Air Purge Collar (XXXCIACAP), with metric thread: XXXCIACAPM

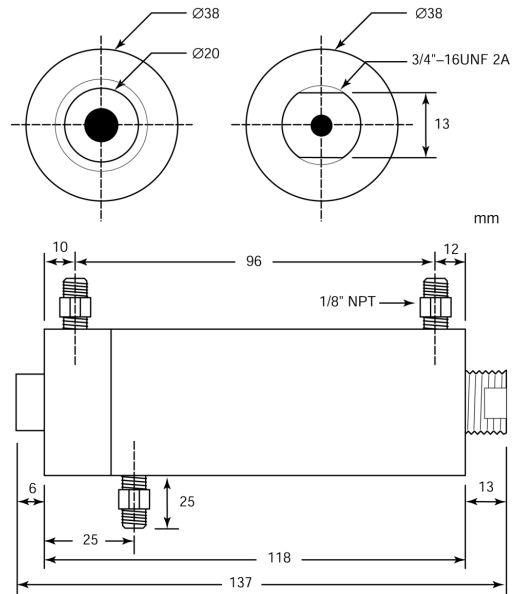


## Options

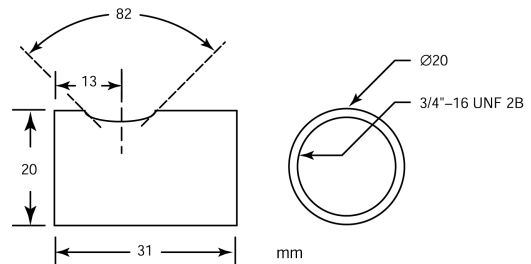
Options must be specified at time of order:

- Cable lengths 3 or 15 m
- High Temperature Cable (max. 260°C)
- ISO Calibration Certificate, based on NIST/DKD certified probes (XXXCICERT)
- Water-Cooling Jacket incl. Air Purge Collar (...W), not for sensors with M18x1 thread

### Water-Cooling Jacket (...W)



### Right Angle Mirror (XXXCIACRA), not for metric threads



59401, Rev. C, 06/2002 – Raytek, the Raytek Logo, Thermalert and DataTemp are registered trademarks of Raytek Corporation. Specifications subject to change without notice.

#### Worldwide Headquarters

Raytek Corporation  
Santa Cruz, CA USA  
Tel: +1 831 458 – 1110  
+1 800 227 – 8074  
Fax: +1 831 458 – 1239  
automation@raytek.com

#### Raytek United Kingdom

Milton Keynes, UK  
Tel: +44 1908 630 800

#### European Headquarters

Raytek GmbH  
Berlin, Germany  
Tel: +49 30 47 80 08 - 0  
Sales: - 400  
Fax: +49 30 4 71 02 51  
raytek@raytek.de

#### Raytek France

Palaiseau, France  
Tel: +33 164 53 15 40

[www.raytek.com](http://www.raytek.com)

for up-to-the-minute features

**Raytek**®

Find Quality Products Online at:

[www.GlobalTestSupply.com](http://www.GlobalTestSupply.com)

sales@GlobalTestSupply.com